

CREATE A DRY SPACE BELOW YOUR DECK



WHAT IS TREX RAINESCAPE?

Trex RainEscape is a unique under-deck drainage system that uses a network of troughs and downspout construction to keep rain, spills, and snowmelt from dripping through elevated deck boards.

HOMEOWNER BENEFITS

- > Doubles the outdoor living space
- > Protects the space below the deck from rain, sun, moisture and other elements
- > Shields the floor joists and beams from moisture
- > Easy to install



Trex RainEscape®
DECK DRAINAGE SYSTEM

Visit trexrainscape.com

© 2020 Trex Company, Inc. All rights reserved. Trex® RainEscape® products are manufactured and sold by Dri-Deck Enterprises, LLC under a Trademark License Agreement with Trex Company, Inc. RainEscape® is a federally registered trademark of Dri-Deck Enterprises, LLC.

CREATE OUTDOOR SPACES YOU NEVER THOUGHT POSSIBLE



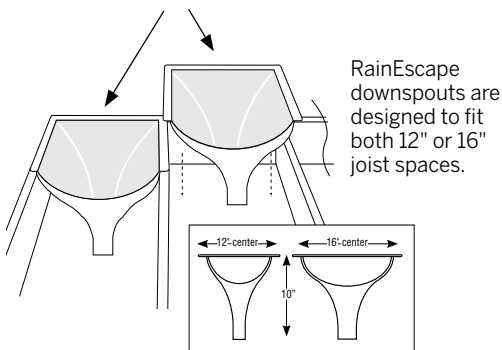
You can use Trex RainEscape Deck Drainage System to create your outdoor living room.

Trex RainEscape is a unique product that enables you to create an indoor-style living space outdoors, on the patio beneath your deck.

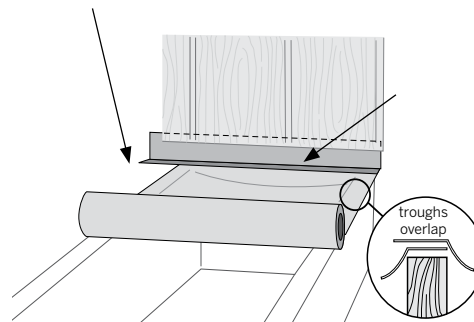
With Trex RainEscape, you can conceal those unsightly deck joists with a soffit of your choice: add lighting fixtures, ceiling fans, entertainment systems and more.

CREATE YOUR OUTDOOR LIVING AREA IS AN EASY TWO STEP PROCESS:







1 A RainEscape downspout is placed at the end of each deck bay.








2 For proper drainage, RainEscape troughs have score marks that line up with the inside of the floor joists



To complete the RainEscape system, place a downspout every 12' to 14'. (gutter not included)

ITEM#	DESCRIPTION	PRICE
RE12054	12' Trough (16=Box) 	\$39.93
RE12054-B	Black 12' Trough (16=Box) 	\$39.93
RE12078	16' Trough (16=Box) 	\$53.33
RE12078-B	Black 16' Trough (16=Box) 	\$53.33
RE12023	Down Spout (16=Box) 	\$50.93
RE12023-B	Black Down Spout (16=Box) 	\$50.93
0046	1" x 25' Wall Flash 	\$56.40

ITEM#	DESCRIPTION	PRICE
RE0033	Trex Protect Joist & Beam Tape 1-5/8" x 50' Joist Cap Tape (20 = Box) 	\$30.52
RE0035	Trex Protect Joist & Beam Tape 3-1/8" x 50' Beam Cap Tape (12 = Box) 	\$55.30
REELEVAT	2' x 50' Double Sided Tape (8=Box) 	\$52.97
RETAPE	4" x 50' Seam Tape <i>Can be used in conjunction with Trex Rain Escape System (8 = Box)</i> 	\$76.47
RE120003	Butyl Caulk (12=Box) 	\$13.08
RE0067	4 x 4 Post Flash (12=Box) 	\$13.50