

# Trex RainEscape™

DECK DRAINAGE SYSTEM

You can use the RainEscape Deck Drainage System to Create your Outdoor Living Room!

RainEscape is a unique product that enables you to create an indoor style living space, outdoors on the patio beneath your deck.

With RainEscape you can conceal those unsightly deck joists with a soffit of your choice; add lighting fixtures, ceiling fans, entertainment systems and more.

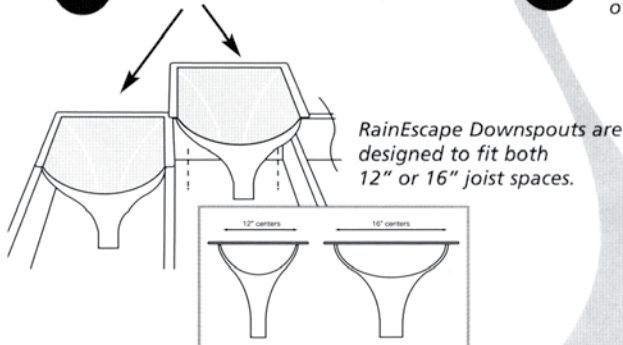
ITEM#	DESCRIPTION	PRICE
RE12054	12' Trough	\$30.94
RE12078	16' Trough	38.74
RE12023	Down Spout	38.17
RE120003	Butyl Caulk	11.12
RE TAPE	4" x 50' Seam Tape	53.29

Create Your **OUTDOOR LIVING AREA**,  
It's An Easy **TWO STEP** Process

## Trex RainEscape™

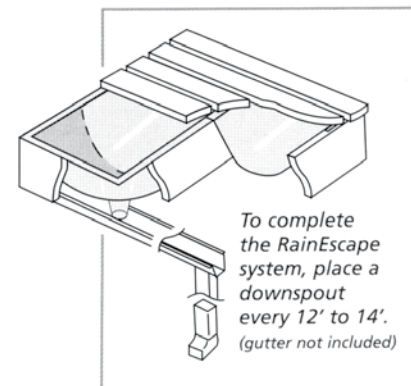
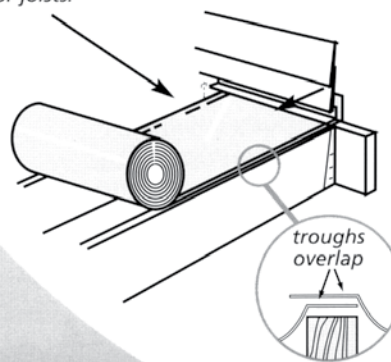
DECK DRAINAGE SYSTEM

- 1** A RainEscape Downspout is placed at the end of each deck bay.



Patent# 6694686

- 2** For proper drainage RainEscape Troughs have score marks that line up with the inside of the floor joists.



When installing RainEscape follow the complete instructions.