

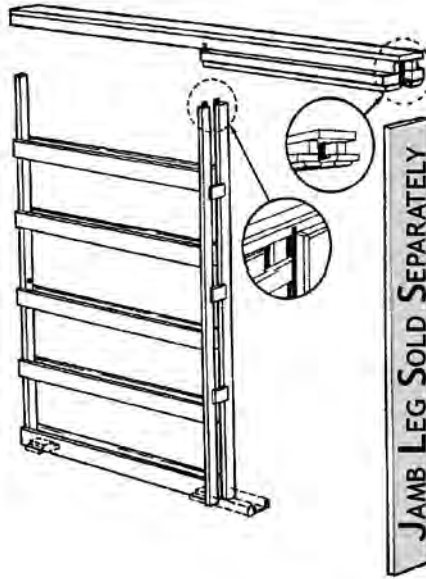
# RW ASSEMBLED POCKET DOOR FRAMES



## Manufactured by RW Denver Custom Sizes & Species Available

- Clear Split Jam
- **NOTE:** Frames Need Finish Trim, Jamb & Stop.
- **PLEASE NOTE:** A standard Pocket is only 2" and designed for a 1-3/8" door.

A 1-3/4" door may require a custom jamb and/or 2' x 6' wall. Custom charges will apply



### SELECTION GUIDE

Rough Opening Height From Sub Floor - 7'-0"

Commercial Duty - Height From Sub Floor - 7'-1"

Single Door Size	Rough Opening Width
2'0" x 6'8"	4'2"
2'4" x 6'8"	4'10"
2'6" x 6'8"	5'2"
2'8" x 6'8"	5'6"
3'0" x 6'8"	6'2"

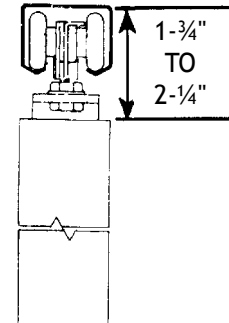
### HEAVY DUTY HARDWARE

Maximum Door Weight: 150 lbs. per door

Heavy Duty 4 wheel #PB1632-BB hardware for doors up to 150 lbs. 4 wheel #1606 hanger has celcon wheels on steel shafts with steel ball bearings for smooth operation and long life. Easy vertical adjustment. Two piece hanger allows for easy door attachment and removal.

### CLEAR SPLIT JAM

SIZE	PRICE
2'0" x 6'8"	\$ 125.00
2'4" x 6'8"	129.00
2'6" x 6'8"	133.00
2'8" x 6'8"	138.00
3'0" x 6'8"	142.00



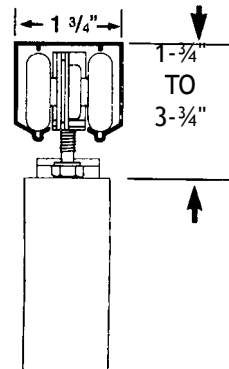
### COMMERCIAL DUTY HARDWARE

Maximum Door Weight: 250 lbs. per door

Commercial Duty 4 wheel #PB1842-BB hardware for doors up to 250 lbs. Heavy gauge aluminum box track with "V" shaped rails is jump-proof. Hangers have large 1-1/4" diameter celcon wheels on steel shafts with steel ball bearings for smooth operation and long life. Two piece door attachment makes for easy door installation and removal.

### CLEAR SPLIT JAM

SIZE	PRICE
2'0" x 6'8"	\$178.00
2'4" x 6'8"	182.00
2'6" x 6'8"	186.00
2'8" x 6'8"	190.00
3'0" x 6'8"	194.00





# CARTONED POCKET DOOR FRAMES

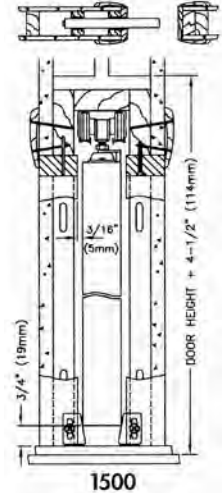
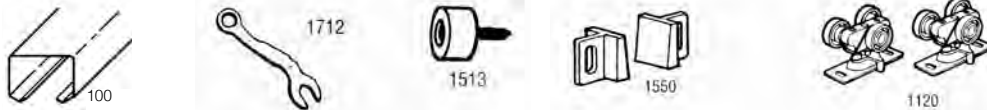
**CALL FOR DROP SHIP PRICING**

## Series 1500 COMMERCIAL GRADE POCKET DOOR FRAME for 1-3/8" Door up to 125 lbs.

For 2 x 4 construction. Removable aluminium track with convex rails for smooth quiet operation, rust resistant steel reinforced wood split studs, jump proof three wheel (1" dia.) hangers, self adjusting floor anchors, 2"6" and 3'0" headers marked to cut to smaller door sizes. Brass-tone steel parts.

- 1530** 3'0" x 6'8" Door **\$99.98**  
(Rough Opening 73" x 84½")
  - 1530-8** 3'0" x 8' Door **\$165.29**  
(Rough Opening 73" x 100½")
- Also Includes #1575 Adapter for 1-3/4" Door and #1125 Ball Bearing Rollers
- 1555-PPK** Converging Door Kit **\$7.53**  
(For 1500 Series)

Carton Includes: Door Frame, Track, Tricycle Hangers, Door Guide & Bumper.

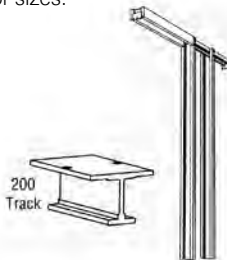


## Series 2060 HEAVY DUTY POCKET DOOR FRAME for 1-1/8" to 2-1/4" Doors up to 300 lbs. each. (2" x 6" stud wall)

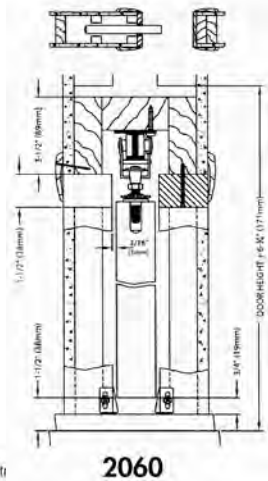
**NEW**

For 2 x 4 construction, the 2060 features removable aluminum I beam track with 4-wheel ball bearing hangers. Also rust resistant 16 gage all-steel uprights that make the walls as strong as a stud wall. The 2/6 and 3/0 frames are marked for cutting to smaller door sizes.

- 2060-3068** 3'0" x 6'8" Door **\$303.35**  
Heavy Duty Pocket Door Frame
- 2060-3080** 3'0" x 8' Door **\$342.08**  
Heavy Duty Pocket Door Frame
- 2050-PLBG** Converging Door Kit **\$13.58**  
(For 2060 Series)



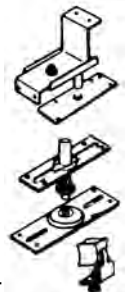
- ✓ All frames fit 2" x 6" stud walls
- ✓ 16 Gage steel studs make wall st as stud walls.
- ✓ 2060 Frames can accommodate doors up to 2 1/4" thick.



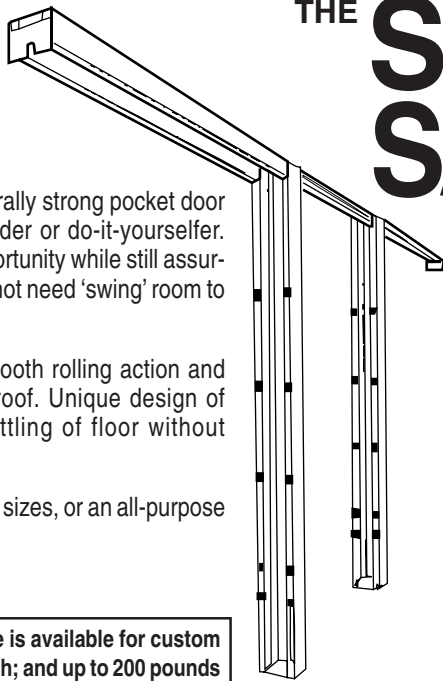
## Series 1870 COMMERCIAL DUTY Bi-Fold & Multi-Panel Door Installations For Panels Over 1" Thick and Up to 125 lbs. Ea. (75lbs. For More Than Two Doors To A Jamb)

### 1801 Aluminum Track (1 Piece Needed)

- BK1801-72 6' Track **\$42.66**
- BK1801-96 8' Track **57.60**
- BK1801-120 10' Track **66.18**
- BK1801-144 12' Track **94.26**
- BK1801-192 16' Track **125.29**
- PB1817-TM Hanger **23.15**
- PB1818 Pivot Set **36.85**



## GENERAL DESCRIPTION



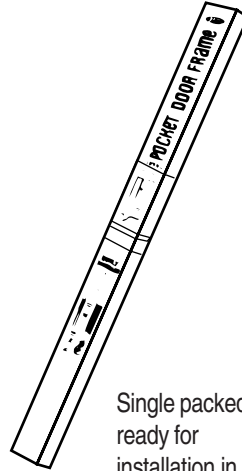
# THE SPACE SAVER

An easily assembled, structurally strong pocket door frame. Designed for the builder or do-it-yourselfer. Provides a space saving opportunity while still assuring privacy. Pocket doors do not need 'swing' room to use valuable floor space.

Tricycle hangers provide smooth rolling action and are GUARANTEED jump proof. Unique design of floor brackets allow for settling of floor without distorting header track.

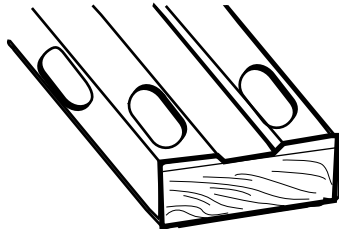
Available for all standard door sizes, or an all-purpose size to minimize inventory.

**NOTE: The 1500 Series Frame is available for custom doors up to 5'0" wide; 9'0" high; and up to 200 pounds in weight.**



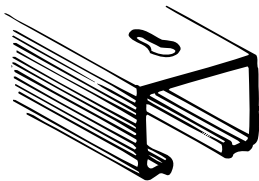
Single packed ready for installation in rough opening

## EXCEPTIONAL FEATURES



### STRONG STIFFENERS

Split jamb and stud uprights have full steel sides and backs to provide maximum rigidity for wall material and restricts nails from penetration into pocket. Slots allow room for easy nailing of trim stops.



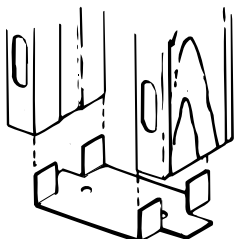
### REMOVABLE TRACK

Track has keyhole slots for easy removal without tearing out walls. Box design prevents rollers from jumping track. Convex rails provide one-point wheel contact for smoothness — dirt traps for free rolling.



### TRICYCLE HANGERS

Tri-design insures all wheels carry weight equally. Smooth rolling, balanced wheels ride with minimum friction on convex track rails. A 'flip-of-a-clip' separates hangers from doors for easy door removal.



### \*SELF-ADJUSTING FLOOR ANCHORS

Long vertical fingers slide into split studs —allow for settling of floor without disturbing horizontal alignment of header and track. Plates can be nailed or cemented to floor.

\*NOTE: 1-3/4" doors require Pt. No. 1575 Adaptor Kit. See OPTIONAL listing.

**JOHNSON**  
HARDWARE

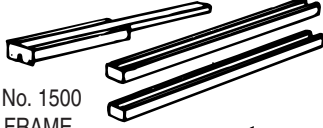
**MOUNTED TRACK  
TRICYCLE  
HANGERS  
COMPACT**

**POCKET  
DOOR  
FRAME**


For  
1-1/8" To 1-3/4"  
Doors  
(Max. wt.  
125 LBS.)

**SERIES 1500**


**COMPLETE WITH SCREWS  
AND INSTRUCTIONS**




No. 1500  
FRAME



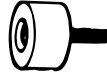
No. 100  
TRACK  
(Attached  
to header)




(2 ea)  
No. 1120  
TRICYCLE  
HANGERS  
(1" DIA. WHEELS)



No. 1550  
DOOR GUIDES

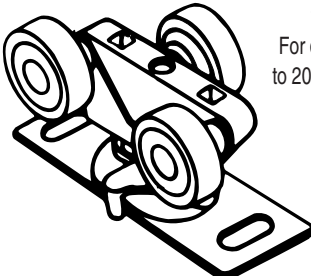


No. 1513  
DOOR BUMPER



No. 1712  
ADJ. WRENCH

**OPTIONAL HANGER**



**1125**  
For doors  
to 200 lbs.

Ball Bearing wheels provide smooth, quiet, easy operation of very heavy doors. Need no lubrication.

**Johnson HARDWARE** MOUNTED TRACK TRICYCLE HANGERS COMPACT

**POCKET DOOR FRAME**

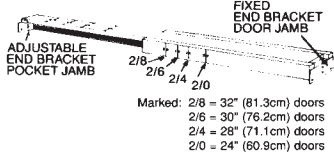
For 1-1/8" To 1-3/4" Doors (Max. wt. 125 LBS.)

**SERIES 1500**

### Cutting Instructions— Johnson Hardware Pocket Door Frame header

2'6" (76.2cm) and 3'0" (91.4cm)  
 Universal Johnson Pocket Door Frames are marked for cutting to shorter lengths. See cutting instructions below.

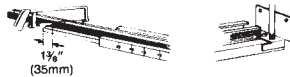
1. Remove Adjustable End Bracket.



2. Cut through **WOOD part of header only, on desired door size marking.**



3. Turn Header over and cut Track 1 3/8" (35mm) shorter than wood Header.

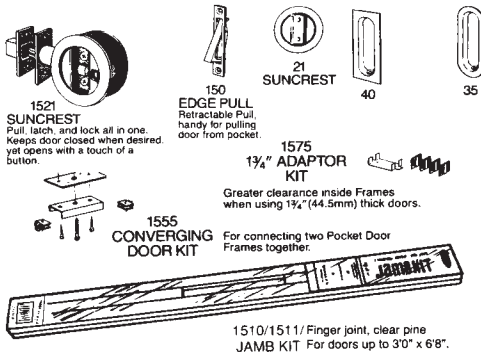


4. Replace Adjustable End Bracket on new cut end of header.  
 5. Turn Header on side and cut 3/4" (19mm) Head Trim Board ONLY at proper mark. remove cut off end and discard.



6. Turn Header and cut off other side.

### Pocket Door Accessories

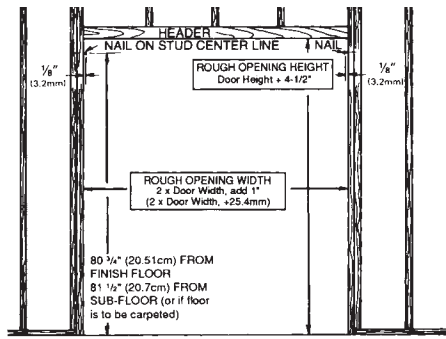


### Measure Door Width and construct Rough Opening

#### Rough Opening Size Chart

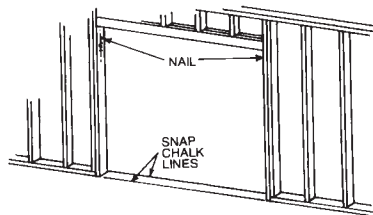
FOR 1 1/8" TO 1 3/4" DOORS	ROUGH OPENING WIDTH X HEIGHT
2'0" x 6'8"	49" x 84 1/2"
2'4" x 6'8"	57" x 84 1/2"
*2'6" x 6'8"	61" x 84 1/2"
2'8" x 6'8"	65" x 84 1/2"
*3'0" x 6'8"	73" x 84 1/2"

\* All purpose-marked for cutting to other standard widths  
 \*\* 1575 ppk3 1 3/4" adaptor required.

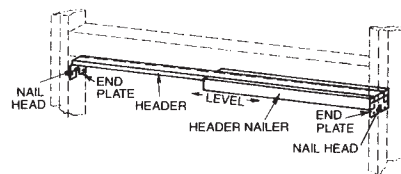


1. Header must be **SQUARE** and **PLUMB** with studs and **LEVEL**.

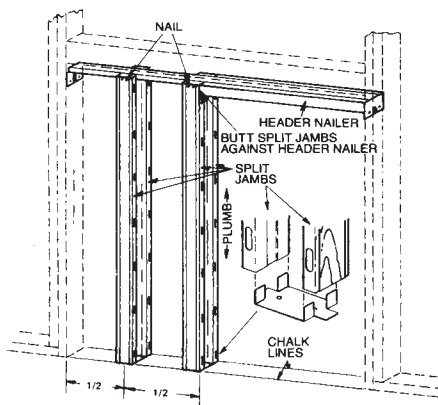
Mark each side jamb and drive a flat head nail on centerline, leaving 1/8" (3.2mm) protruding. (Frame header end plates will rest on these nails.)



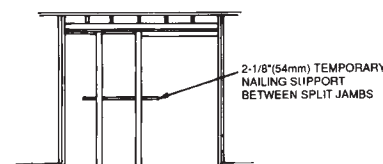
2. Snap two chalk lines on floor even with side jambs as shown.



3. Slip slots in Frame Header End Plates Over nails in side jambs.

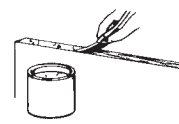


4. Slip fingers on Floor Plates into the reinforcing strips of Split Jambs as show. Butt split jambs against header nailer strips and nail in place.



5. Apply desired wall materials over the pocket side and above the door opening. Wall materials are brought clear to the edges of the opening.

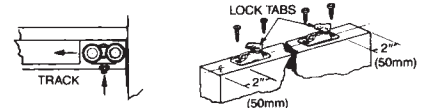
## GENERAL INSTALLATION



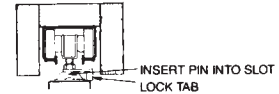
6. Seal all edges and face of door panel with choice of paint or sealing stain.



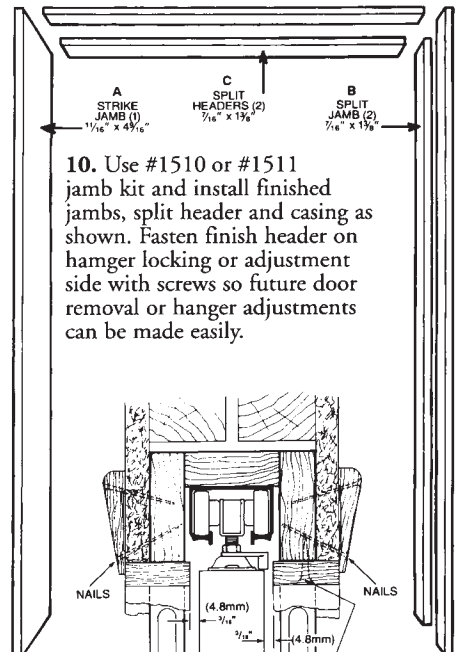
7. Fasten bumper on back edge of door. 40" from bottom edge.



8. Insert hanger wheels into track through space between end plate and track. Fasten hanger plates in place.



9. Hold door in opening and slip pivot pin into slot in plate. Lock in place with locking tab. Adjust hangers for height and plumb with jambs.



10. Use #1510 or #1511 jamb kit and install finished jambs, split header and casing as shown. Fasten finish header on hanger locking or adjustment side with screws so future door removal or hanger adjustments can be made easily.

11. Fasten #1550 Guides on finished split jambs at door bottom so door is held in center of opening without binding.

# BY-PASS DOOR HARDWARE SETS

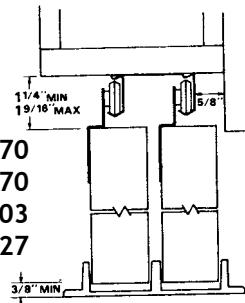
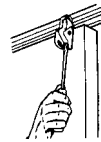


## Non-Fascia

For Two By-Passing Doors  
1-3/8" Thick, Weighing  
Up To 60 lbs. Each.  
Steel Track

ITEM #	DESCRIPTION	LIST/SET
7842-4RWSN	4' Track & Hardware for two 2'0" doors	\$12.70
7842-5RWSN	5' Track & Hardware for two 2'6" doors	13.70
7842-6RWSN	6' Track & Hardware for two 3'0" doors	17.03
7842-83RWSN	8' Track & Hardware for three 2'8" doors	26.27

Set contains: 1 Each 7840 Steel Track, 2 Pair 7200 A & B Hangers, 0352 Floor Guide, 2 Each 0864 3/4" Satin Nickel Finger Pulls, Screws & Instructions



## Series 2200

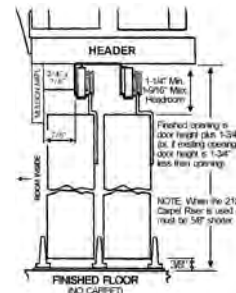


ITEM#	DESCRIPTION	# / BOX	LIST/SET
2200-48	4' Track & Hardware	5 Sets	\$19.91
2200-60	5' Track & Hardware	5 Sets	22.74
2200-72	6' Track & Hardware	5 Sets	25.71
2200-96	8' Track & Hardware	5 Sets	44.58

For Two By-Passing Doors  
3/4" & 1-3/8" Thick,  
Weighing 50 lbs. Each  
Aluminum Track

Set Contains: Aluminum Track, 4 Hangers, 2135 Door Guide And Instructions. Clear View Poly Packed.

Convex rail with two dirt-catching traps, no more dirty track chatter. Hi-lite line design hold paint and eliminates fingerprints. Fast cam action hangers with positive lock - no slippage. Zinc plated steel hangers with 7/8" nylon wheels.



## Series 1676 HEAVY DUTY

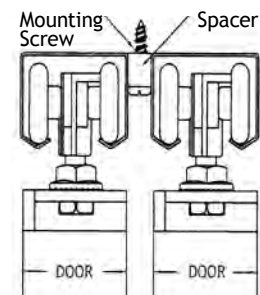
For Two By-Passing Doors  
Up To 1-3/4" Thick,  
Weighing Up To 150 lbs. Each.  
Aluminum Track

ITEM #	DESCRIPTION	LIST/SET
JS1676-4	4' Heavy Duty Track & Hardware	\$65.60
JS1676-5	5' Heavy Duty Track & Hardware	70.36
JS1676-6	6' Heavy Duty Track & Hardware	76.72

Set Contains: 1602 Aluminum Track, 1606 BB Carrier, 1807-TM Door Plate and 0909 Door Guide

NOTE: If Fascia is Used, for 1-3/8" Door, Allow 1/4" Between Fascia & Track.

NOTE: If Fascia is Used, for 1-3/4" Door, Allow 3/8" Between Fascia & Track.



## Series 1574 HEAVY DUTY

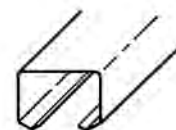
For Two By-Passing Doors  
1-3/8" & 1-3/4" Thick,  
Weighing 30-150 lbs. Ea.  
Steel Track

### 1599 Zinc Finished Steel Track

(2 Pieces Needed)

ITEM #	DESCRIPTION	LIST
1599-Z47	4' Track	\$4.61 PC
1599-Z59	5' Track	5.85 PC
1599-Z71	6' Track	6.88 PC
1599-Z95	8' Track	9.55 PC
PB1675-SP	Hanger Set (4) (For 2 Doors)	27.69 Set

PB1675-SP Hanger Set



1599 Track

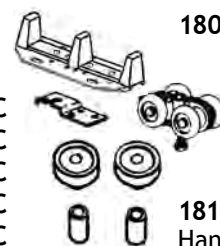
## Series 1876 COMMERCIAL DUTY

For Two By-Passing Doors  
1-3/8" & 1-3/4" Thick,  
Weighing 30-250 lbs. Ea.  
Aluminum Track

### 1801 HD Aluminum Track

(2 Pieces Needed)

ITEM #	DESCRIPTION	LIST
BK1801-72	6' Track	\$ 42.66 PC
BK1801-96	8' Track	57.60 PC
BK1801-120	10' Track	66.18 PC
BK1801-144	12' Track	94.26 PC
BK1801-192	16' Track	125.29 PC
PB1816-RW	Hanger Set (4) (For 2 Doors)	96.84 Set



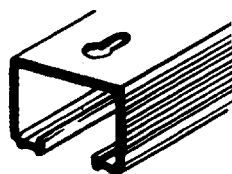
1801 Track

1816-RW Hanger Set For 1801 Track

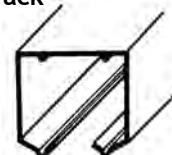
# MISCELLANEOUS DOOR HARDWARE



Carrier, Plate, Guides & Bumper



1801 Track



1599 Track

ITEM	DESCRIPTION	PRICE
150-3PPK1	Brass Edge Pull	5.43 EA
1120-PPK1	Tricycle Hanger	7.93 EA
1125-PPK1	Heavy Duty Hanger	14.00 EA
1500-PPK3	Hardware Only	13.81 Bag
1505-PPK3	Guide/Bumper	2.92 EA
1550	Door Guides	.42 EA
1555-PPK3	Converging Door Kit	7.53 EA
1575-PPK3	1 3/4" Adapter Set	6.41 EA
2134	1-1/8" or 1-3/4" Door Guide	2.16 EA 25/Box
2135-PPK1	3/4" or 1-3/8" Door Guide	2.61 EA 10/Box
2136-PPK1	Carpet Riser	2.77 EA 10/Box
BK0351	1-3/8" Floor Guide	.62 EA
PB0352	3/8" Adjustable Guide	1.58 EA
PB1431	Pocket Door Hardware (Standard)	9.61 SET
PB1632-BB	Pocket Door Hardware (Heavy Duty)	17.36 SET
PB1842-BB	Pocket Door Hardware (Commercial)	47.60 SET

## TRACK

100-6	Pocket Door Track - 6'	20.33 EA
100-8	Pocket Door Track - 8'	26.29 EA
100-10	Pocket Door Track - 10'	33.71 EA
100-12	Pocket Door Track - 12'	40.57 EA
1599-Z47	4' Track Standard Duty	4.61 PC
1599-Z59	5' Track Standard Duty	5.85 PC
1599-Z71	6' Track Standard Duty	6.88 PC
1599-Z95	8' Track Standard Duty	9.55 PC
BK1801-72	6' Commercial Duty Track	42.66 PC
BK1801-96	8' Commercial Duty Track	57.60 PC
BK1801-120	10' Commercial Duty Track	66.18 PC
BK1801-144	12' Commercial Duty Track	94.26 PC
BK1801-192	16' Commercial Duty Track	125.29 PC