

Entrysets

Solid Brass, Wrought Steel or Sandcast Bronze forged into classic, sculpted handlesets, generously proportioned to make a strong visual statement. Available in a large variety of finishes.



Lafayette Grip
Rust

Normandy Grip
Satin Steel

Deep Burgandy

3" & 4" Door Knocker & Ring Pull
Silver Patina, Medium Bronze
& Deep Burgandy



Keypad Deadbolt
Deep Burgandy



Knobs & Rosettes

Choose from six classic designs & invoke a spirit of Traditional American craftsmanship.



Lancaster Knob
Lancaster Rosette
Oil Rubbed Bronze



Providence
French Antique



Rope Knob
Rope Rosette
Polished Brass



Egg Knob
Satin Nickel



Victorian Knob
Oil Rubbed Bronze



Oval Beaded Knob
Polished Brass

All Items
Available by
Special Order
Only.

Sectional Plates & Grips



Ribbon & Reed
Pewter

Orleans
Satin Nickel

Arts & Crafts
Oil Rubbed Bronze



Keypad Leverset
Cortina
US10B



Modern Keypad
Deadbolt
US15

Coordinate both interior and exterior hardware to establish a consistent and powerful message.

Levers & Rosettes

Make a dramatic decorating statement with Brass, Copper & Brass, Wrought Steel or Sandcast Bronze levers.

Combine any rosette with any lever to compliment

Colonial, Southwest, French Provincial or Victorian themes.



Cortina Lever
Polished Brass



Rope Lever
Rope Rosette
Oil Rubbed Bronze



Lafayette Lever
Type 1 Rosette
Satin Steel



Normandy Lever
Type 2 Rosette
Rust



Durango Lever
Deep Burgandy



Arts & Crafts Lever
Rectangular Rosette
Satin Copper & Brass



Hammered Lever
Hammered Square Rosette
Oil Rubbed Bronze



San Carlos Lever
Type Three Rosette
Flat Black



Geneva Lever
Satin Nickel

Rosette Styles



Type 1



Type 2



Type 3

www.rwspecialties.com

All Emtex locksets are supplied complete with latch and strike plate.





Distinctive Hardware for Fine Homes

Available by
Special Order Only.

Tuscany Collection Solid Cast Bronze



Parma Knob
Type 12 Rosette
Flat Black Patina



Petal Knob
Type 14 Rosette
Silver Patina Finish



Petal
Cabinet Knob
Silver Patina Finish



Round
Cabinet Knob
Medium Bronze Finish



Ribbed Drawer Pull
Medium Bronze Finish

Napoli Lever
Type 14 Rosette



Dark
Bronze
Finish



Tuscany Twist Drawer Pull
Silver Patina Finish



Petal
Knob
Type 12 Rosette
Medium Bronze Finish



Twist
Cabinet Knob
Medium Bronze Finish



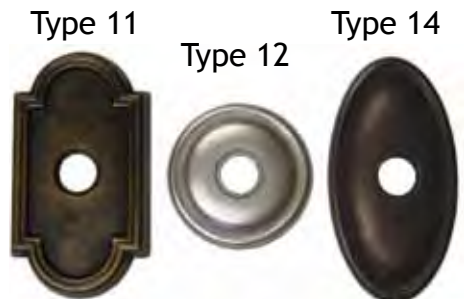
Egg
Cabinet Knob
Silver Patina Finish



Parma Knob
Type 11 Rosette
Medium Bronze Finish

Tuscany Collection
Solid Cast Bronze
is Available in
Deep Burgandy
Medium Bronze
& Silver Patina
Finishes

Rosette Styles



Wrought Steel Cabinet Hardware

Charming highlights for a rustic or provincial décor, pulls & knobs celebrate the blacksmith's art. Available in Rust, Flat Black & Satin Steel.



Petal Knobs
1¼" & 1"



Flanders Knobs
1½" & 1¼"



Bastogne Knobs
2¾" & 3¾"



Brittany Knobs
1¼" & 1"



Lafayette Pulls
3", 3½" & 4"



Normandy Pulls
3", 3½" & 4"



San Carlos Pulls
3", 3½" & 4"



Sandcast Bronze Cabinet Hardware

Engagingly primitive, and perfect for a country home. Sandcast with a pitted surface & hand finished in 3 finishes. Silver Patina, Light Bronze & Dark Bronze.



Twig Pulls
3", 3½" & 4"



Rod Pulls
3", 3½" & 4"

3" Bin Pulls



Door Knocker & Ring Pull
3" & 4"



Egg Knob 1¼" & 1"
Also available in Round Knobs

Hinges & Accessories

Emtek's fine quality hinges are made in eleven finishes to match our single & double-keyed door locks.

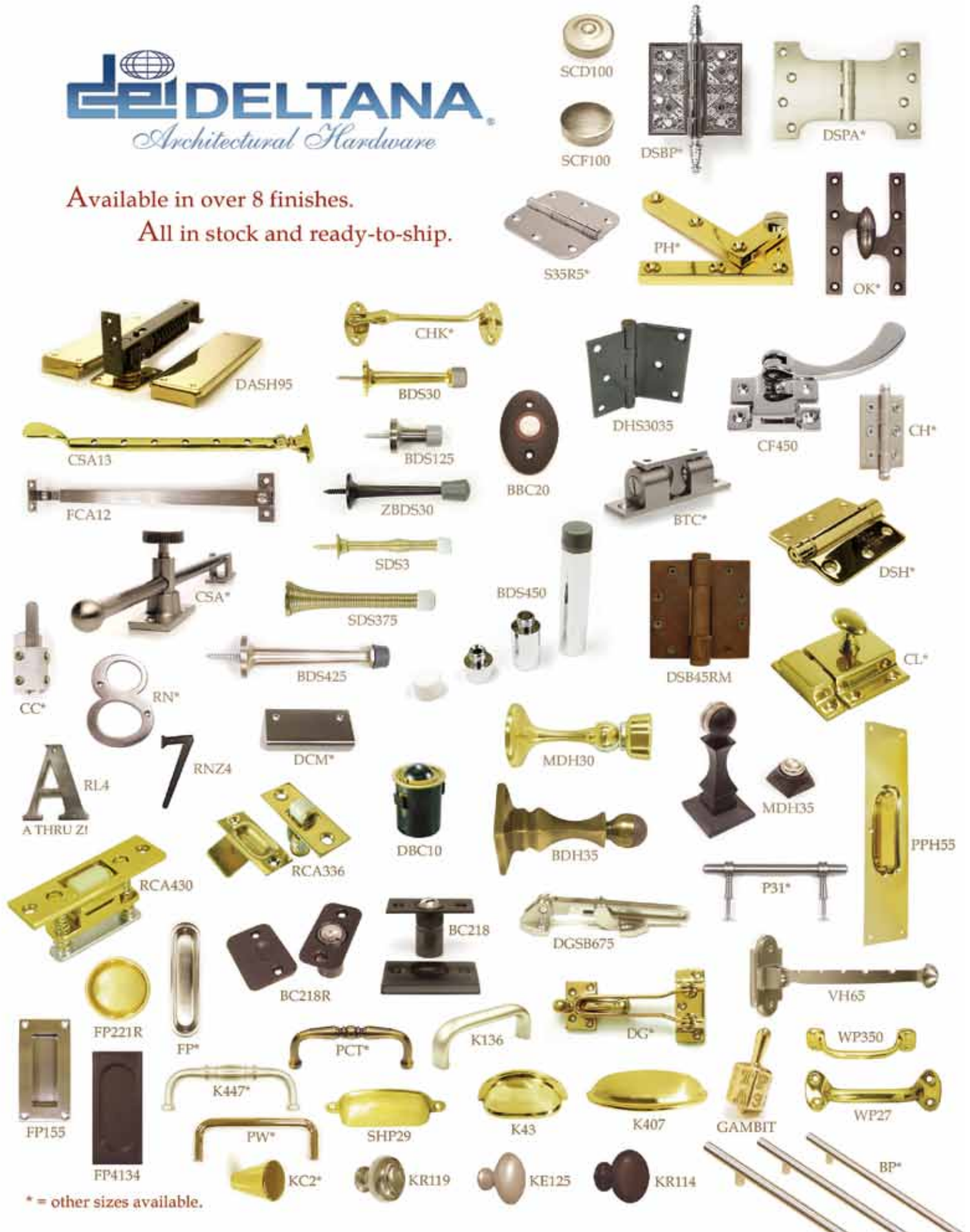


Complete your project with details that are consistent & thoughtful.

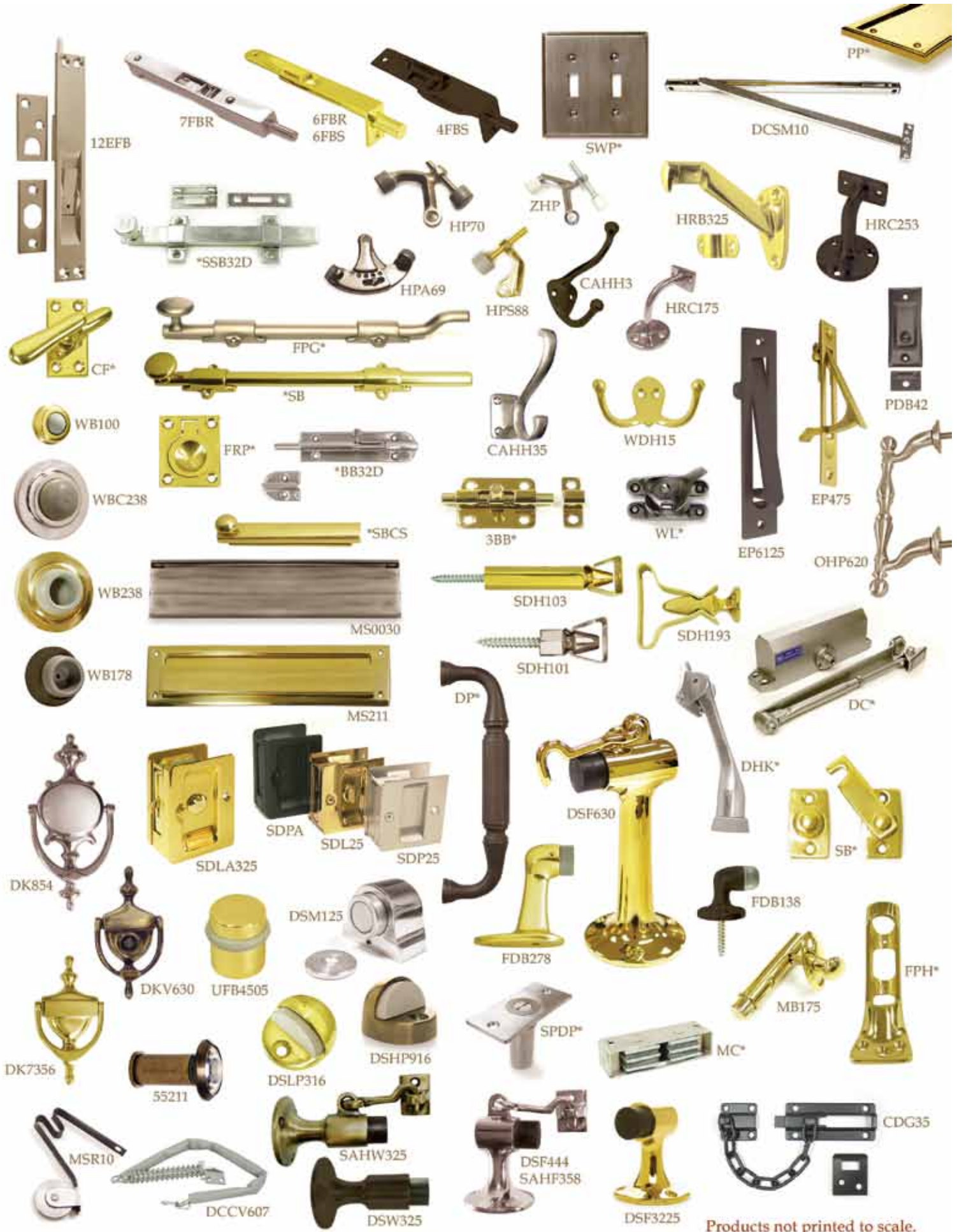
DELTA DELTANA

Architectural Hardware

Available in over 8 finishes.
All in stock and ready-to-ship.



* = other sizes available.



Products not printed to scale.

Flush Bolts

6"



Item No.	Description	Finish	List/Each
6FBS3	Square Corner	US3	\$ 11.80
6FBS10B	Square Corner	US10B	15.12
6FBS15	Square Corner	US15	14.56
6FBS26D	Square Corner	US26D	12.80



Ball Catches - Adjustable

2 1/8"

Item No.	Description	Finish	List/Each
BC218U3	Solid Brass	US3	\$ 7.90
BC218U10B	Solid Brass	US10B	7.00
BC218U15	Solid Brass	US15	7.00
BC218U15A	Solid Brass	US15A	7.00

**Thousands of Specialty Items
Available in Multi-Finishes
& Short Lead Times.**

Magnetic Door Holder/Stop



Item No.	Description	Finish	List/Each
MDH30U3	Holder/Stop	US3	\$ 14.28
MDH30U10B	Holder/Stop	US10B	15.29
MDH30U15	Holder/Stop	US15	15.29
MDH30U15A	Holder/Stop	US15A	15.29



Passage



Privacy

Solid Brass Pocket Door Hardware

Item No.	Description	Finish	List/Each
SDP25U3	Passage Lock	US3	\$ 9.47
SDP25U10B	Passage Lock	US10B	11.20
SDP25U15	Passage Lock	US15	11.20
SDP25U15A	Passage Lock	US15A	11.20
SDL25U3	Privacy Lock	US3	\$ 10.67
SDL25U10B	Privacy Lock	US10B	13.78
SDL25U15	Privacy Lock	US15	13.78
SDL25U15A	Privacy Lock	US15A	13.78

The Following Items are Stocked in our Grand Junction & Casper Warehouses

Item No.	Description	Finish	List/Each
BDS30U10B	BaseBoard Bumper	US10B	\$ 8.40
BDS30U15	BaseBoard Bumper	US15	8.40
BDS30U15A	BaseBoard Bumper	US15A	8.40
SDS375U10B	Spring Stop	US10B	\$.81
SDS375U15	Spring Stop	US15	.81
SDS375U15A	Spring Stop	US15A	.81
HP70U10B	HingePin stop	US10B	\$ 5.32
HP70U15	HingePin stop	US15	5.32
HP70U15A	HingePin stop	US15A	5.32



Item No.	Description	Finish	List/Each
FP221RU10B	2-1/8" FlushPull	US10B	\$ 3.61
FP221RU15	2-1/8" FlushPull	US15	3.61
FP221RU15A	2-1/8" FlushPull	US15A	3.61
FP223U10B	Oblong FlushPull	US10B	\$ 6.08
FP223U15	Oblong FlushPull	US15	6.08
FP223U15A	Oblong FlushPull	US15A	6.08
KRH114U10B	Round Nob	US10B	\$ 5.18
KRH114U15	Round Nob	US15	5.18
KRH114U15A	Round Nob	US15A	5.18

Residential Steel Hinges

RW Denver Stocked



3 1/2" x 3 1/2"

Item No.	Size	Finish	List/Pair
S35U3-R	3 1/2" x 3 1/2" Square	US3	\$ 4.37
S35U10B-R	3 1/2" x 3 1/2" Square	US10B	4.37
S35U15-R	3 1/2" x 3 1/2" Square	US15	4.37
S35U15A-R	3 1/2" x 3 1/2" Square	US15A	4.37
S35U26D-R	3 1/2" x 3 1/2" Square	US26D	4.37

4" x 4"

Item No.	Size	Finish	List/Pair
S44U3-R	4" x 4" Square	US3	\$ 5.13
S44U10B-R	4" x 4" Square	US10B	5.13
S44U15-R	4" x 4" Square	US15	5.13
S44U15A-R	4" x 4" Square	US15A	5.13
S44U26D-R	4" x 4" Square	US26D	5.13

Radius Steel Hinges



Finish Codes

US3 - Polished Brass
US10B - Oil Rubbed Bronze
US15 - Satin Nickel
US15A - Antique Satin Nickel
US26D - Satin Chrome Plated

3 1/2" x 3 1/2" x 1/4" Radius

Item No.	Size	Finish	List/Pair
S35R43	3 1/2" x 3 1/2" x 1/4"	US3	\$ 3.50
S35R410B	3 1/2" x 3 1/2" x 1/4"	US10B	3.50
S35R415	3 1/2" x 3 1/2" x 1/4"	US15	3.50
S35R415A	3 1/2" x 3 1/2" x 1/4"	US15A	3.50
S35R426D	3 1/2" x 3 1/2" x 1/4"	US26D	3.50

4" x 4" x 1/4" Radius

Item No.	Size	Finish	List/Pair
S44R43	4" x 4" x 1/4"	US3	\$ 4.76
S44R410B	4" x 4" x 1/4"	US10B	4.76
S44R415	4" x 4" x 1/4"	US15	4.76
S44R415A	4" x 4" x 1/4"	US15A	4.76
S44R426D	4" x 4" x 1/4"	US26D	4.76

3 1/2" x 3 1/2" x 5/8" Radius

Item No.	Size	Finish	List/Pair
S35R53	3 1/2" x 3 1/2" x 5/8"	US3	\$ 3.50
S35R510B	3 1/2" x 3 1/2" x 5/8"	US10B	3.50
S35R515	3 1/2" x 3 1/2" x 5/8"	US15	3.50
S35R515A	3 1/2" x 3 1/2" x 5/8"	US15A	3.50
S35R526D	3 1/2" x 3 1/2" x 5/8"	US26D	3.50

4" x 4" x 5/8" Radius

Item No.	Size	Finish	List/Pair
S44R53	4" x 4" x 5/8"	US3	\$ 4.76
S44R510B	4" x 4" x 5/8"	US10B	4.76
S44R515	4" x 4" x 5/8"	US15	4.76
S44R515A	4" x 4" x 5/8"	US15A	4.76
S44R526D	4" x 4" x 5/8"	US26D	4.76

Radius Spring Hinges



4" x 4" x 1/4" Radius

Item No.	Size	Finish	List/Each
DSH4R43	4" x 4" x 1/4"	US3	\$ 17.86
DSH4R410B	4" x 4" x 1/4"	US10B	17.86
DSH4R415	4" x 4" x 1/4"	US15	17.86
DSH4R426D	4" x 4" x 1/4"	US26D	17.86

4" x 4" x 5/8" Radius

Item No.	Size	Finish	List/Each
DSH4R53	4" x 4" x 5/8"	US3	\$ 17.86
DSH4R510B	4" x 4" x 5/8"	US10B	17.86
DSH4R515	4" x 4" x 5/8"	US15	17.86
DSH4R526D	4" x 4" x 5/8"	US26D	17.86



CARTONED POCKET DOOR FRAMES

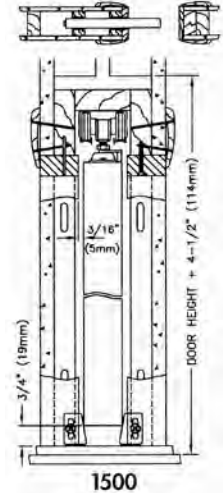


Series 1500 COMMERCIAL GRADE POCKET DOOR FRAME for 1-3/8" Door up to 125 lbs.

For 2 x 4 construction. Removable aluminium track with convex rails for smooth quiet operation, rust resistant steel reinforced wood split studs, jump proof three wheel (1" dia.) hangers, self adjusting floor anchors, 2"6" and 3"0" headers marked to cut to smaller door sizes. Brass-tone steel parts.

- 1530** 3'0" x 6'8" Door **\$99.98**
(Rough Opening 73" x 84½")
 - 1530-8** 3'0" x 8' Door **\$165.29**
(Rough Opening 73" x 100½")
- Also Includes #1575 Adapter for 1-3/4" Door and #1125 Ball Bearing Rollers
- 1555-PPK** Converging Door Kit **\$7.53**
(For 1500 Series)

Carton Includes: Door Frame, Track, Tricycle Hangers, Door Guide & Bumper.



Series 2060 HEAVY DUTY POCKET DOOR FRAME for 1-1/8" to 2-1/4" Doors up to 300 lbs. each. (2" x 6" stud wall)

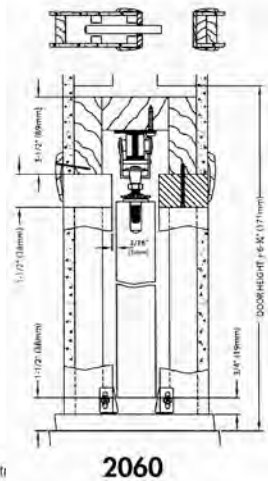
NEW

For 2 x 4 construction, the 2060 features removable aluminum I beam track with 4-wheel ball bearing hangers. Also rust resistant 16 gage all-steel uprights that make the walls as strong as a stud wall. The 2/6" and 3/0" frames are marked for cutting to smaller door sizes.

- 2060-3068** 3'0" x 6'8" Door **\$303.35**
Heavy Duty Pocket Door Frame
- 2060-3080** 3'0" x 8' Door **\$342.08**
Heavy Duty Pocket Door Frame
- 2050-PLBG** Converging Door Kit **\$13.58**
(For 2060 Series)



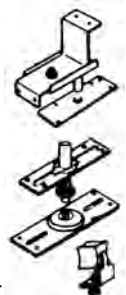
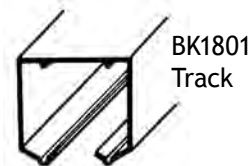
- ✓ All frames fit 2" x 6" stud walls
- ✓ 16 Gage steel studs make wall st as stud walls.
- ✓ 2060 Frames can accommodate doors up to 2 1/4" thick.



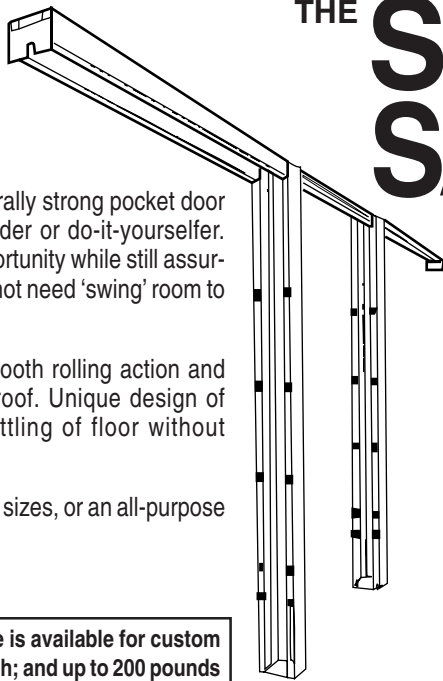
Series 1870 COMMERCIAL DUTY Bi-Fold & Multi-Panel Door Installations For Panels Over 1" Thick and Up to 125 lbs. Ea. (75lbs. For More Than Two Doors To A Jamb)

1801 Aluminum Track (1 Piece Needed)

- BK1801-72 6' Track **\$42.66**
- BK1801-96 8' Track **57.60**
- BK1801-120 10' Track **66.18**
- BK1801-144 12' Track **94.26**
- BK1801-192 16' Track **125.29**
- PB1817-TM Hanger **23.15**
- PB1818 Pivot Set **36.85**



GENERAL DESCRIPTION



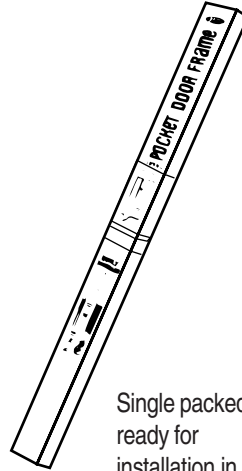
THE SPACE SAVER

An easily assembled, structurally strong pocket door frame. Designed for the builder or do-it-yourselfer. Provides a space saving opportunity while still assuring privacy. Pocket doors do not need 'swing' room to use valuable floor space.

Tricycle hangers provide smooth rolling action and are GUARANTEED jump proof. Unique design of floor brackets allow for settling of floor without distorting header track.

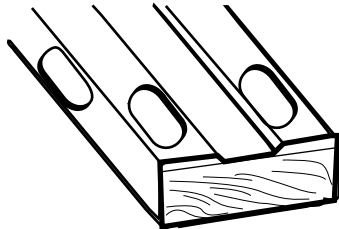
Available for all standard door sizes, or an all-purpose size to minimize inventory.

NOTE: The 1500 Series Frame is available for custom doors up to 5'0" wide; 9'0" high; and up to 200 pounds in weight.



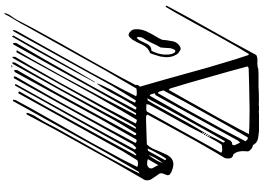
Single packed ready for installation in rough opening

EXCEPTIONAL FEATURES



STRONG STIFFENERS

Split jamb and stud uprights have full steel sides and backs to provide maximum rigidity for wall material and restricts nails from penetration into pocket. Slots allow room for easy nailing of trim stops.



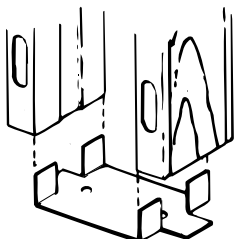
REMOVABLE TRACK

Track has keyhole slots for easy removal without tearing out walls. Box design prevents rollers from jumping track. Convex rails provide one-point wheel contact for smoothness — dirt traps for free rolling.



TRICYCLE HANGERS


Tri-design insures all wheels carry weight equally. Smooth rolling, balanced wheels ride with minimum friction on convex track rails. A 'flip-of-a-clip' separates hangers from doors for easy door removal.



*SELF-ADJUSTING FLOOR ANCHORS

Long vertical fingers slide into split studs — allow for settling of floor without disturbing horizontal alignment of header and track. Plates can be nailed or cemented to floor.

*NOTE: 1-3/4" doors require Pt. No. 1575 Adaptor Kit. See OPTIONAL listing.



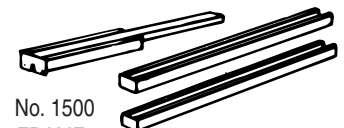
**MOUNTED TRACK
TRICYCLE
HANGERS
COMPACT**

**POCKET
DOOR
FRAME**


For
1-1/8" To 1-3/4"
Doors
(Max. wt.
125 LBS.)

SERIES 1500


COMPLETE WITH SCREWS AND INSTRUCTIONS




No. 1500
FRAME



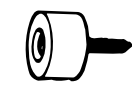
No. 100
TRACK
(Attached to header)




(2 ea)
No. 1120
TRICYCLE
HANGERS
(1" DIA. WHEELS)



No. 1550
DOOR GUIDES

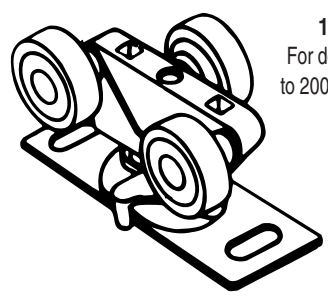


No. 1513
DOOR BUMPER



No. 1712
ADJ. WRENCH

OPTIONAL HANGER



1125
For doors
to 200 lbs.

Ball Bearing wheels provide smooth, quiet, easy operation of very heavy doors. Need no lubrication.

Johnson HARDWARE MOUNTED TRACK TRICYCLE HANGERS COMPACT

POCKET DOOR FRAME

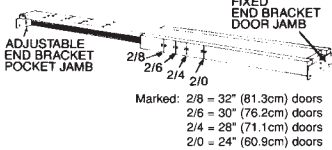
For 1-1/8" To 1-3/4" Doors (Max. wt. 125 LBS.)

SERIES 1500

Cutting Instructions— Johnson Hardware Pocket Door Frame header

2'6" (76.2cm) and 3'0" (91.4cm)
 Universal Johnson Pocket Door Frames are marked for cutting to shorter lengths. See cutting instructions below.

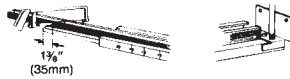
1. Remove Adjustable End Bracket.



2. Cut through **WOOD part of header only, on desired door size marking.**



3. Turn Header over and cut Track 1 3/8" (35mm) shorter than wood Header.



4. Replace Adjustable End Bracket on new cut end of header.
 5. Turn Header on side and cut 3/4" (19mm) Head Trim Board ONLY at proper mark. remove cut off end and discard.



6. Turn Header and cut off other side.

Pocket Door Accessories

1521 SUNCREST Pull tab, and lock all in one. Keeps door closed when desired yet opens with a touch of a button.

150 EDGE PULL Retractable Pull, handy for pulling door from pocket.

21 SUNCREST

40 SUNCREST

1575 ADAPTOR KIT Greater clearance inside Frames when using 1 3/4" (44.5mm) thick doors.

1555 CONVERGING DOOR KIT For connecting two Pocket Door Frames together.

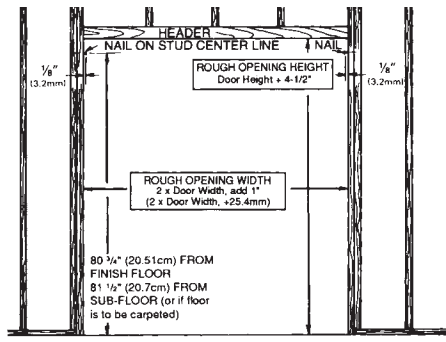
1510/1511/Jamb joint, clear pine JAMB KIT For doors up to 3'0" x 6'8".

Measure Door Width and construct Rough Opening

Rough Opening Size Chart

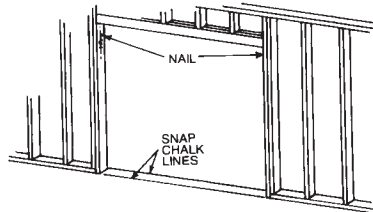
FOR 1 1/8" TO 1 3/4" DOORS	ROUGH OPENING WIDTH X HEIGHT
2'0" x 6'8"	49" x 84 1/2"
2'4" x 6'8"	57" x 84 1/2"
*2'6" x 6'8"	61" x 84 1/2"
2'8" x 6'8"	65" x 84 1/2"
*3'0" x 6'8"	73" x 84 1/2"

* All purpose-marked for cutting to other standard widths
 ** 1575 ppk3 1 3/4" adaptor required.

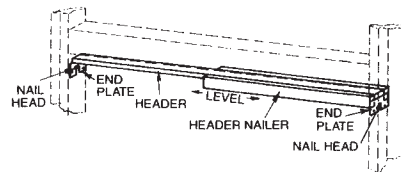


1. Header must be **SQUARE** and **PLUMB** with studs and **LEVEL**.

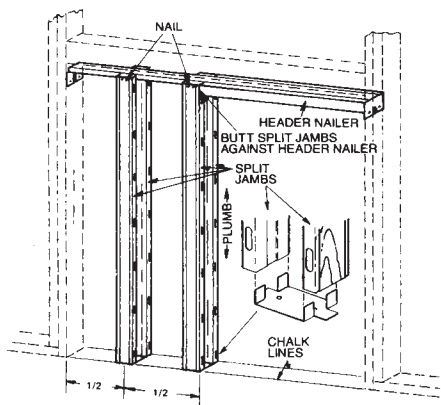
Mark each side jamb and drive a flat head nail on centerline, leaving 1/8" (3.2mm) protruding. (Frame header end plates will rest on these nails.)



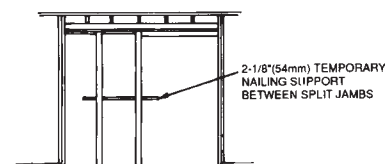
2. Snap two chalk lines on floor even with side jambs as shown.



3. Slip slots in Frame Header End Plates Over nails in side jambs.



4. Slip fingers on Floor Plates into the reinforcing strips of Split Jambs as show. Butt split jambs against header nailer strips and nail in place.



5. Apply desired wall materials over the pocket side and above the door opening. Wall materials are brought clear to the edges of the opening.

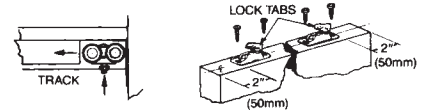
GENERAL INSTALLATION



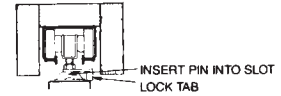
6. Seal all edges and face of door panel with choice of paint or sealing stain.



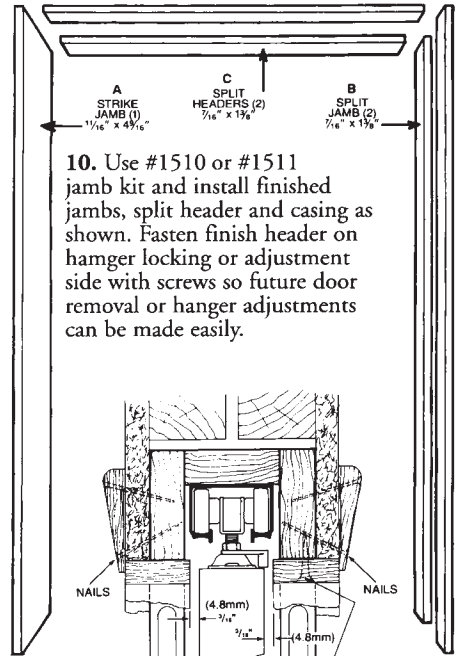
7. Fasten bumper on back edge of door. 40" from bottom edge.



8. Insert hanger wheels into track through space between end plate and track. Fasten hanger plates in place.



9. Hold door in opening and slip pivot pin into slot in plate. Lock in place with locking tab. Adjust hangers for height and plumb with jambs.



10. Use #1510 or #1511 jamb kit and install finished jambs, split header and casing as shown. Fasten finish header on hanger locking or adjustment side with screws so future door removal or hanger adjustments can be made easily.

11. Fasten #1550 Guides on finished split jambs at door bottom so door is held in center of opening without binding.

BY-PASS DOOR HARDWARE SETS

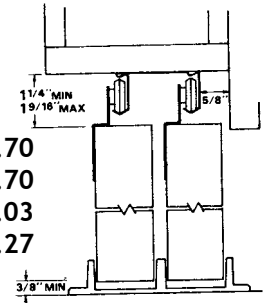
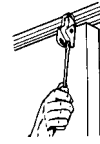


Non-Fascia

For Two By-Passing Doors
1-3/8" Thick, Weighing
Up To 60 lbs. Each.
Steel Track

ITEM #	DESCRIPTION	LIST/SET
7842-4RWSN	4' Track & Hardware for two 2'0" doors	\$12.70
7842-5RWSN	5' Track & Hardware for two 2'6" doors	13.70
7842-6RWSN	6' Track & Hardware for two 3'0" doors	17.03
7842-83RWSN	8' Track & Hardware for three 2'8" doors	26.27

Set contains: 1 Each 7840 Steel Track, 2 Pair 7200 A & B Hangers, 0352 Floor Guide, 2 Each 0864 3/4" Satin Nickel Finger Pulls, Screws & Instructions



Series 2200

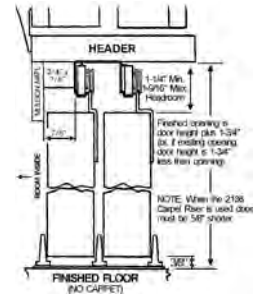


ITEM#	DESCRIPTION	# / BOX	LIST/SET
2200-48	4' Track & Hardware	5 Sets	\$19.91
2200-60	5' Track & Hardware	5 Sets	22.74
2200-72	6' Track & Hardware	5 Sets	25.71
2200-96	8' Track & Hardware	5 Sets	44.58

For Two By-Passing Doors
3/4" & 1-3/8" Thick,
Weighing 50 lbs. Each
Aluminum Track

Set Contains: Aluminum Track, 4 Hangers, 2135 Door Guide And Instructions. Clear View Poly Packed.

Convex rail with two dirt-catching traps, no more dirty track chatter. Hi-lite line design hold paint and eliminates fingerprints. Fast cam action hangers with positive lock - no slippage. Zinc plated steel hangers with 7/8" nylon wheels.



Series 1676 HEAVY DUTY

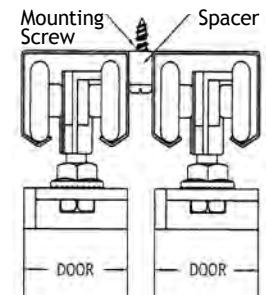
For Two By-Passing Doors
Up To 1-3/4" Thick,
Weighing Up To 150 lbs. Each.
Aluminum Track

ITEM #	DESCRIPTION	LIST/SET
JS1676-4	4' Heavy Duty Track & Hardware	\$65.60
JS1676-5	5' Heavy Duty Track & Hardware	70.36
JS1676-6	6' Heavy Duty Track & Hardware	76.72

Set Contains: 1602 Aluminum Track, 1606 BB Carrier, 1807-TM Door Plate and 0909 Door Guide

NOTE: If Fascia is Used, for 1-3/8" Door, Allow 1/4" Between Fascia & Track.

NOTE: If Fascia is Used, for 1-3/4" Door, Allow 3/8" Between Fascia & Track.



Series 1574 HEAVY DUTY

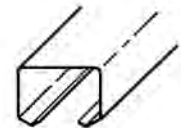
For Two By-Passing Doors
1-3/8" & 1-3/4" Thick,
Weighing 30-150 lbs. Ea.
Steel Track

1599 Zinc Finished Steel Track

(2 Pieces Needed)

ITEM #	DESCRIPTION	LIST
1599-Z47	4' Track	\$4.61 PC
1599-Z59	5' Track	5.85 PC
1599-Z71	6' Track	6.88 PC
1599-Z95	8' Track	9.55 PC
PB1675-SP	Hanger Set (4) (For 2 Doors)	27.69 Set

PB1675-SP Hanger Set



1599 Track

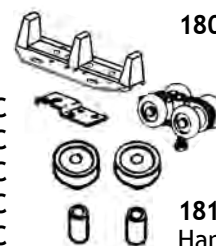
Series 1876 COMMERCIAL DUTY

For Two By-Passing Doors
1-3/8" & 1-3/4" Thick,
Weighing 30-250 lbs. Ea.
Aluminum Track

1801 HD Aluminum Track

(2 Pieces Needed)

ITEM #	DESCRIPTION	LIST
BK1801-72	6' Track	\$ 42.66 PC
BK1801-96	8' Track	57.60 PC
BK1801-120	10' Track	66.18 PC
BK1801-144	12' Track	94.26 PC
BK1801-192	16' Track	125.29 PC
PB1816-RW	Hanger Set (4) (For 2 Doors)	96.84 Set



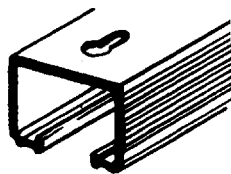
1801 Track

1816-RW Hanger Set For 1801 Track

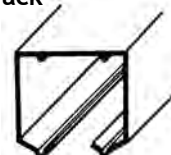
MISCELLANEOUS DOOR HARDWARE



Carrier, Plate, Guides & Bumper



1801 Track



1599 Track

ITEM	DESCRIPTION	PRICE
150-3PPK1	Brass Edge Pull	5.43 EA
1120-PPK1	Tricycle Hanger	7.93 EA
1125-PPK1	Heavy Duty Hanger	14.00 EA
1500-PPK3	Hardware Only	13.81 Bag
1505-PPK3	Guide/Bumper	2.92 EA
1550	Door Guides	.42 EA
1555-PPK3	Converging Door Kit	7.53 EA
1575-PPK3	1 3/4" Adapter Set	6.41 EA
2134	1-1/8" or 1-3/4" Door Guide	2.16 EA 25/Box
2135-PPK1	3/4" or 1-3/8" Door Guide	2.61 EA 10/Box
2136-PPK1	Carpet Riser	2.77 EA 10/Box
BK0351	1-3/8" Floor Guide	.62 EA
PB0352	3/8" Adjustable Guide	1.58 EA
PB1431	Pocket Door Hardware (Standard)	9.61 SET
PB1632-BB	Pocket Door Hardware (Heavy Duty)	17.36 SET
PB1842-BB	Pocket Door Hardware (Commercial)	47.60 SET

TRACK

100-6	Pocket Door Track - 6'	20.33 EA
100-8	Pocket Door Track - 8'	26.29 EA
100-10	Pocket Door Track - 10'	33.71 EA
100-12	Pocket Door Track - 12'	40.57 EA
1599-Z47	4' Track Standard Duty	4.61 PC
1599-Z59	5' Track Standard Duty	5.85 PC
1599-Z71	6' Track Standard Duty	6.88 PC
1599-Z95	8' Track Standard Duty	9.55 PC
BK1801-72	6' Commercial Duty Track	42.66 PC
BK1801-96	8' Commercial Duty Track	57.60 PC
BK1801-120	10' Commercial Duty Track	66.18 PC
BK1801-144	12' Commercial Duty Track	94.26 PC
BK1801-192	16' Commercial Duty Track	125.29 PC