

**Available by Special Order**

**White River Mouldings are available by special order** through us with short lead times on all factory stocked items. Custom woods and patterns are available by custom quote. Please allow additional lead time. Freight charges will be added to all orders that do not meet the prepaid requirements.



Throughout history, embellished mouldings and woodcarvings have adorned the finest of homes and commercial buildings all over the world. Moulding and carvings create style, enhance historical value and add architectural detail on a personal level.



Over the past quarter century, White River Hardwoods has created a Renaissance in Embellished Architectural Millwork and a New American Style in Interior Design. Our Mon Reale® Sculptured Hardwood Mouldings were the first of their kind in the industry, setting the standard for Beauty, Quality, Value and Ease of Installation.



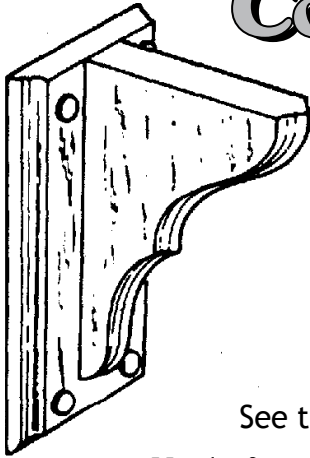
White River's Mouldings and Authentic Hand-Carved® Woodcarvings allow today's Builder, Architect, Interior Designer or Homeowner to confidently create a level of elegance that rivals the finest Classical Architecture of Europe.



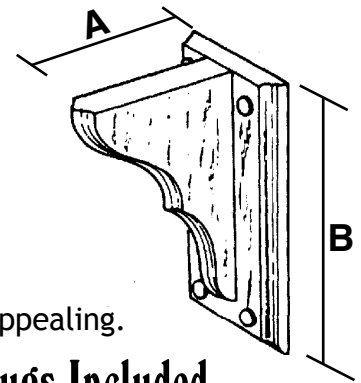
White River's complete line of over 550 mouldings are available in Poplar and Red Oak, which are in stock and ready for prompt shipment. 65% of our in-stock mouldings are available in long-lengths of 12 to 16 feet. We also have over 250 woodcarvings are in-stock, which are manufactured from Lindenwood, with selected patterns also available in Maple & Cherry.

If you have any questions, please give us a call and we will be glad to assist you.

# Corbel's (Shelf Brackets)



ITEM #	SIZE (AxB)	PRICE
TWB-401	4" x 6"	\$ 6.94
TWB-601	6" x 9"	10.14
TWB-801	7-1/4" x 11-1/4"	13.05
TWB-1001	9-3/4" x 13"	15.50

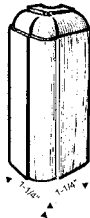


See thru packaging keeps brackets fresh-looking and appealing.

Made from Clear Ponderosa Pine. Screws & Hole Plugs Included.

## BULLNOSE CORNERS, ROSETTES, PLINTH BLOCKS, RADIUS CORNERS & BASE CORNERS

### Bullnose Corner Blocks



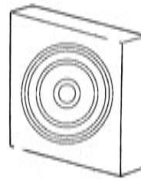
Grand Junction  
Stocked Only

4" Pine Corner Block  
BS4PCB \$2.00

4" Pine IS Corner Block  
BS4IPCB \$2.00

4" Oak Corner Block  
BS40CB \$3.75  
(No Routing)

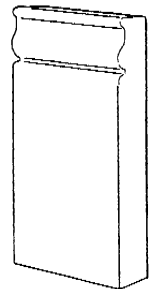
### Rosettes



2-1/2" x 2-1/2" x 3/4"  
642-OAK \$2.29  
642-ADLER 1.89

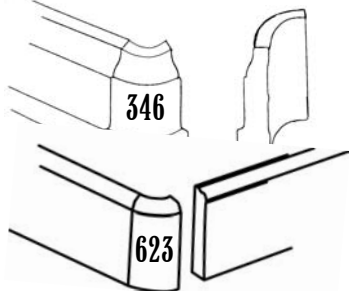
3-1/2" x 3-1/2" x 3/4"  
734-MDF \$2.29  
734-OAK 3.30  
734-ALDER 3.10

### Plinth Blocks



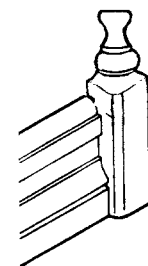
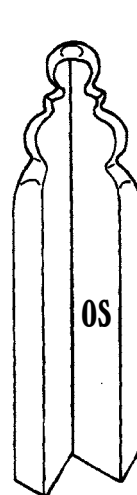
6" x 3-1/2" x 3/4"  
742PB-MDF \$2.29  
742PB-OAK 4.42  
742PB-ALDER 2.97

### Radius Drywall Corners- 3/4" Radius



WM346-PINE 2-1/4" \$1.97  
WM346-OAK 2-1/4" 2.85  
WM623-PINE 3-1/4" 2.37  
WM623-OAK 3-1/4" 3.50

### Universal Base Corners

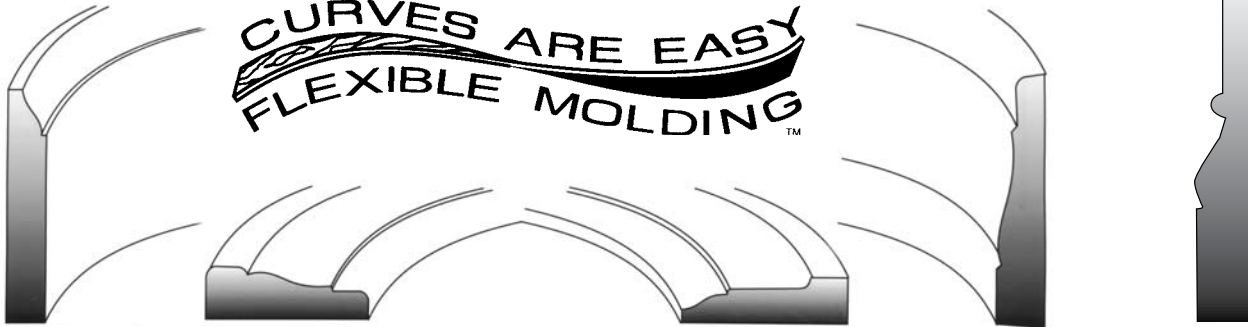


7-1/4" x 7/8" x 7/8"  
UBC-OS-HEM \$6.51  
UBC-OS-OAK 11.34

7-1/4" x 3/4" x 3/4"  
UBC-IS-HEM \$2.89  
UBC-IS-OAK 4.02

# FLEX TRIM INDUSTRIES, INC.™

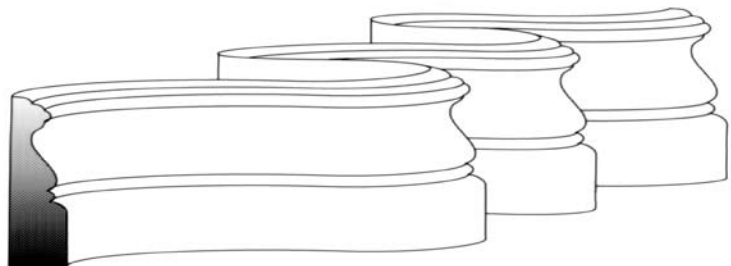
**CURVES ARE EASY  
FLEXIBLE MOLDING™**



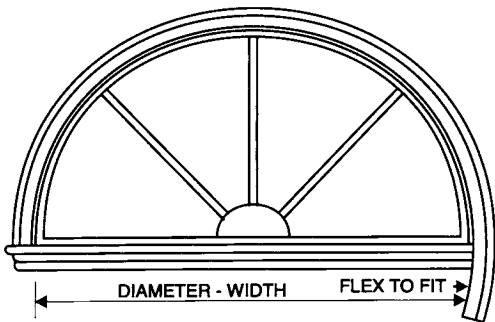
<b>WM623</b> 9/16 x 3-1/4	<b>WM356</b> 11/16 x 2-1/4	<b>WM346</b> 5/8 x 2-1/4	<b>WM444</b> 11/16 x 3-1/2	<b>WM811</b> 11/16 x 4-1/2
------------------------------	-------------------------------	-----------------------------	-------------------------------	-------------------------------

## STRAIGHT FLEXIBLE

**Stainable Pine**



Length	#346	#356	#444	#623	#811
8'	\$51.00			\$80.00	
10'	\$63.50	\$75.00	\$107.00	\$100.00	\$107.00
12'	\$76.00			\$120.00	



## PREFORMED DIAMETER MOULDING Stainable Pine (Flexible 6" Either Way)

DIAM	#346	#356
2'4"	\$32.00	\$38.00
3'0"	\$38.00	\$45.00
4'0"	\$50.00	\$60.00
5'0"	\$63.50	\$75.00
6'0"	\$76.00	\$90.00

**Denver Stocked Only**

### SPECIAL ORDER Thousands Of Mouldings

Chances are we have the moulding pattern you need. We have over 2000 mouldings, which is more than we can possible catalog at this time. If you're curious about a certain pattern, call us or send fax.

**"We May Already Have It."**

**NOTE: 25% Upcharge on Special Orders that Require a Template.**

