

Mirror Doors



**Steel Frameless
Bi-Fold**



**Steel Mirrored
Bi-Pass**



**Steel Frameless
Bi-Pass**



**Aluminum
Bi-Pass**



**Steel Framed
Bi-Fold**

Please Call for Quote On All Projects - Big or Small!
NOTE: There is a 30% Re-Stocking Charge on All Mirror Doors



Mirror Doors

Bi-Pass

ALUMINUM NARROW STILE (11/16") BY-PASS

BRUSHED NICKEL

11/16" wide stiles
 Integral full-length finger pulls
 Felt lined top guides
 Large bottom rollers with integral anti-jump feature
 One piece 2 3/16" deep, 2 faced top track
 Low rise bottom track
 3.0mm 400 lb. Cat II safety backed mirror

ITEM #	DESCRIPTION / COLOR	PRICE
ANM501-4068BW	48" X 80 1/2" BRUSHED NICKEL	\$238.93
ANM501-5068BW	60" X 80 1/2" BRUSHED NICKEL	278.77
ANM501-6068BW	72" X 80 1/2" BRUSHED NICKEL	318.37

STEEL MIRRORLESS BI-PASS

Adjustable top L-guides
 Large bottom rollers with integral anti-jump feature
 One piece 1-3/4" deep top track
 Low rise bottom track
 3.0 mm 400 lb. CAT II Safety backed mirror

ITEM #	DESCRIPTION / COLOR	PRICE
SM101-4068BW	47" X 80 1/2" BRIGHT WHITE	\$158.20
SM101-5068BW	59" X 80 1/2" BRIGHT WHITE	186.89
SM101-6068BW	71" X 80 1/2" BRIGHT WHITE	220.48

Bi-Fold

STEEL FRAMED BI-FOLD

1/4" Frame around mirror
 Interchangeable dual-height tracks
 Spring enhanced hinges
 Color coordinated pull handles
 3.0 mm 400 lb. CAT II Safety backed mirror

ITEM #	DESCRIPTION / COLOR	PRICE
SBM301-2068BW	24" X 80 1/2" BRIGHT WHITE	144.66
SBM301-2668BW	30" X 80 1/2" BRIGHT WHITE	160.48
SBM301-3068BW	36" X 80 1/2" BRIGHT WHITE	176.30

Bi-Pass

ALUMINUM NARROW STILE (11/16") BY-PASS

OIL RUBBED BRONZE

11/16" wide stiles
 Integral full-length finger pulls
 Felt lined top guides
 Large bottom rollers with integral anti-jump feature
 One piece 2 3/16" deep, 2 faced top track
 Low rise bottom track
 3.0mm 400 lb. Cat II safety backed mirror

ITEM #	DESCRIPTION / COLOR	PRICE
ANM501-4068ORB	48" X 80 1/2" OIL RUBBED BRZ	\$279.55
ANM501-5068ORB	60" X 80 1/2" OIL RUBBED BRZ	326.19
ANM501-6068ORB	72" X 80 1/2" OIL RUBBED BRZ	372.51

STEEL FRAMELESS BI-PASS

Polished edge mirror
 Adjustable top L-guides
 Large bottom rollers with integral anti-jump feature
 One piece 1-3/4" deep top track
 Low rise bottom track
 3.0 mm 400 lb. CAT II Safety backed mirror

ITEM #	DESCRIPTION / COLOR	PRICE
SFM201-4068BW	47" X 80 1/2" BRIGHT WHITE	\$223.82
SFM201-5068BW	59" X 80 1/2" BRIGHT WHITE	256.21
SFM201-6068BW	71" X 80 1/2" BRIGHT WHITE	288.90

Bi-Fold

STEEL FRAMELESS BI-FOLD

Polished edge mirror
 Non -visable frame on long sides
 Interchangeable dual-height tracks
 Spring enhanced hinges
 Color coordinated pull handles
 3.0 mm 400 lb. CAT II Safety backed mirror

ITEM #	DESCRIPTION / COLOR	PRICE
SBFM401-2068BW	24" X 80 1/2" BRIGHT WHITE	157.32
SBFM401-2668BW	30" X 80 1/2" BRIGHT WHITE	174.87
SBFM401-3068BW	36" X 80 1/2" BRIGHT WHITE	191.99

Damage to Mirror Doors Must be Reported to RW Within 24 Hours.

NOTE: There is a 30% Re-Stocking Charge on All Mirror Doors

Entrysets

Solid Brass, Wrought Steel or Sandcast Bronze forged into classic, sculpted handlesets, generously proportioned to make a strong visual statement. Available in a large variety of finishes.



Lafayette Grip
Rust

Normandy Grip
Satin Steel

Deep Burgandy

3" & 4" Door Knocker & Ring Pull
Silver Patina, Medium Bronze
& Deep Burgandy



Keypad Deadbolt
Deep Burgandy

Knobs & Rosettes

Choose from six classic designs & invoke a spirit of Traditional American craftsmanship.



Lancaster Knob
Lancaster Rosette
Oil Rubbed Bronze



Providence
French Antique



Rope Knob
Rope Rosette
Polished Brass



Egg Knob
Satin Nickel



Victorian Knob
Oil Rubbed Bronze



Oval Beaded Knob
Polished Brass

All Items Available by Special Order Only.

Sectional Plates & Grips



Ribbon & Reed
Pewter

Orleans
Satin Nickel

Arts & Crafts
Oil Rubbed Bronze



Keypad Leverset
Cortina US10B



Modern Keypad Deadbolt
US15

Coordinate both interior and exterior hardware to establish a consistent and powerful message.

Levers & Rosettes

Make a dramatic decorating statement with Brass, Copper & Brass, Wrought Steel or Sandcast Bronze levers.

Combine any rosette with any lever to compliment

Colonial, Southwest, French Provincial or Victorian themes.



Cortina Lever
Polished Brass



Rope Lever
Rope Rosette
Oil Rubbed Bronze



Lafayette Lever
Type 1 Rosette
Satin Steel



Normandy Lever
Type 2 Rosette
Rust



Durango Lever
Deep Burgandy



Arts & Crafts Lever
Rectangular Rosette
Satin Copper & Brass



Hammered Lever
Hammered Square Rosette
Oil Rubbed Bronze



San Carlos Lever
Type Three Rosette
Flat Black



Geneva Lever
Satin Nickel

Rosette Styles



Type 1



Type 2



Type 3

www.rwspecialties.com

All Emtex locksets are supplied complete with latch and strike plate.





Distinctive Hardware for Fine Homes

Available by
Special Order Only.

Tuscany Collection Solid Cast Bronze



Parma Knob
Type 12 Rosette
Flat Black Patina



Petal Knob
Type 14 Rosette
Silver Patina Finish



Petal
Cabinet Knob
Silver Patina Finish



Round
Cabinet Knob
Medium Bronze Finish



Medium Bronze
Finish

Ribbed Drawer Pull

Napoli Lever
Type 14 Rosette



Silver Patina
Finish



Tuscany Twist Drawer Pull



Petal
Knob
Type 12 Rosette
Medium Bronze
Finish

Dark
Bronze
Finish



Twist
Cabinet Knob
Medium Bronze
Finish

Medium Bronze
Finish



Egg
Cabinet Knob

Silver Patina
Finish



Bin
Pull

Napoli Lever
Type 14 Rosette



Medium Bronze
Finish

Tuscany Collection
Solid Cast Bronze
is Available in
Deep Burgandy
Medium Bronze
& Silver Patina
Finishes

Rosette Styles

Type 11



Type 12



Type 14



Parma Knob
Type 11 Rosette

Wrought Steel Cabinet Hardware



Petal Knobs
1 1/4" & 1"

Charming highlights for a rustic or provincial décor, pulls & knobs celebrate the blacksmith's art. Available in Rust, Flat Black & Satin Steel.



Flanders Knobs
1 1/2" & 1 1/4"



Bastogne Knobs
2 3/8" & 3 3/8"



Brittany Knobs
1 1/4" & 1"



Lafayette Pulls
3", 3 1/2" & 4"



Normandy Pulls
3", 3 1/2" & 4"



San Carlos Pulls
3", 3 1/2" & 4"



Sandcast Bronze Cabinet Hardware

Engagingly primitive, and perfect for a country home. Sandcast with a pitted surface & hand finished in 3 finishes. Silver Patina, Light Bronze & Dark Bronze.



Twig Pulls
3", 3 1/2" & 4"



Rod Pulls
3", 3 1/2" & 4"

3" Bin Pulls



Door Knocker & Ring Pull
3" & 4"



Egg Knob 1 1/4" & 1"
Also available in Round Knobs

Hinges & Accessories

Emtek's fine quality hinges are made in eleven finishes to match our single & double-keyed door locks.

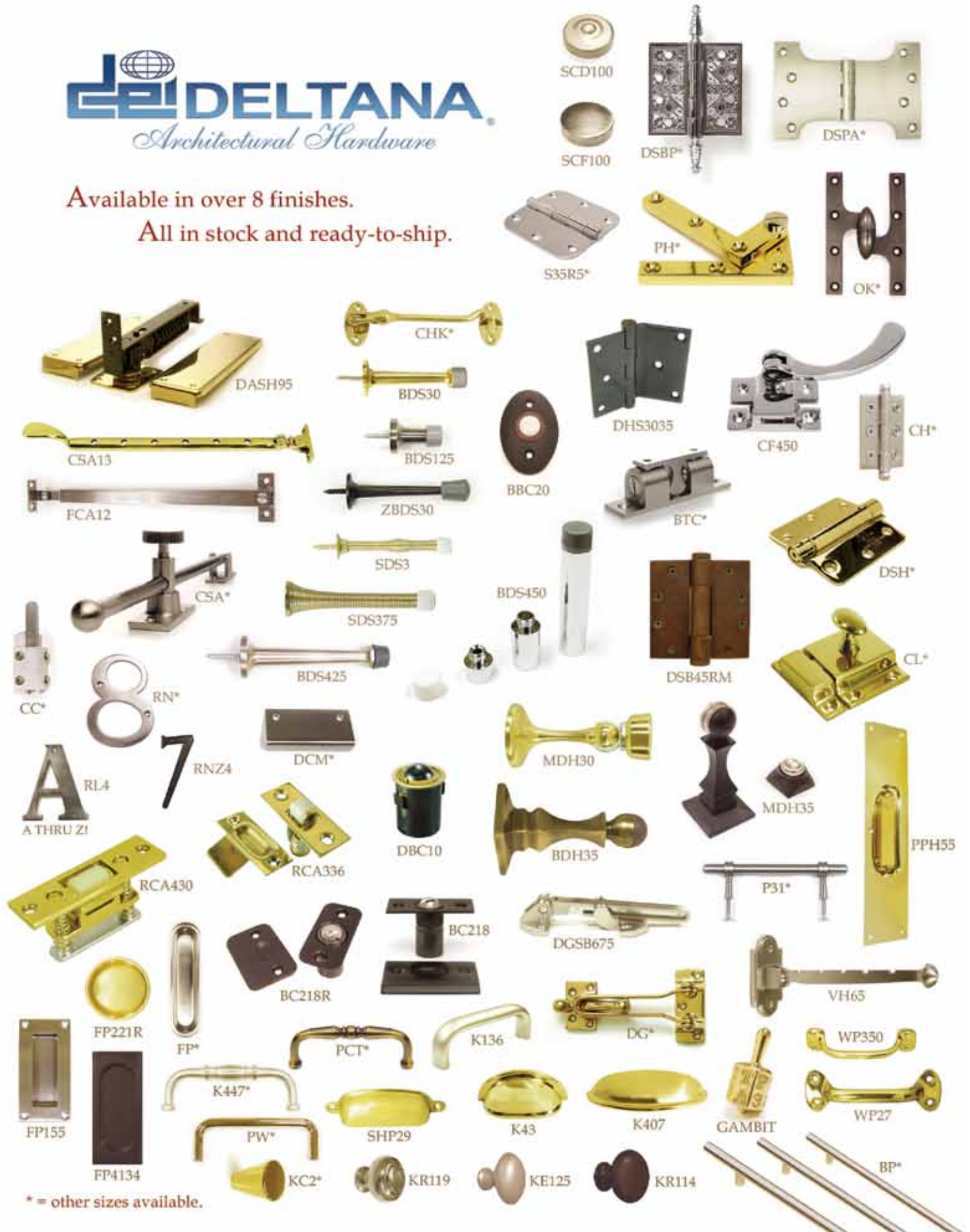


Complete your project with details that are consistent & thoughtful.

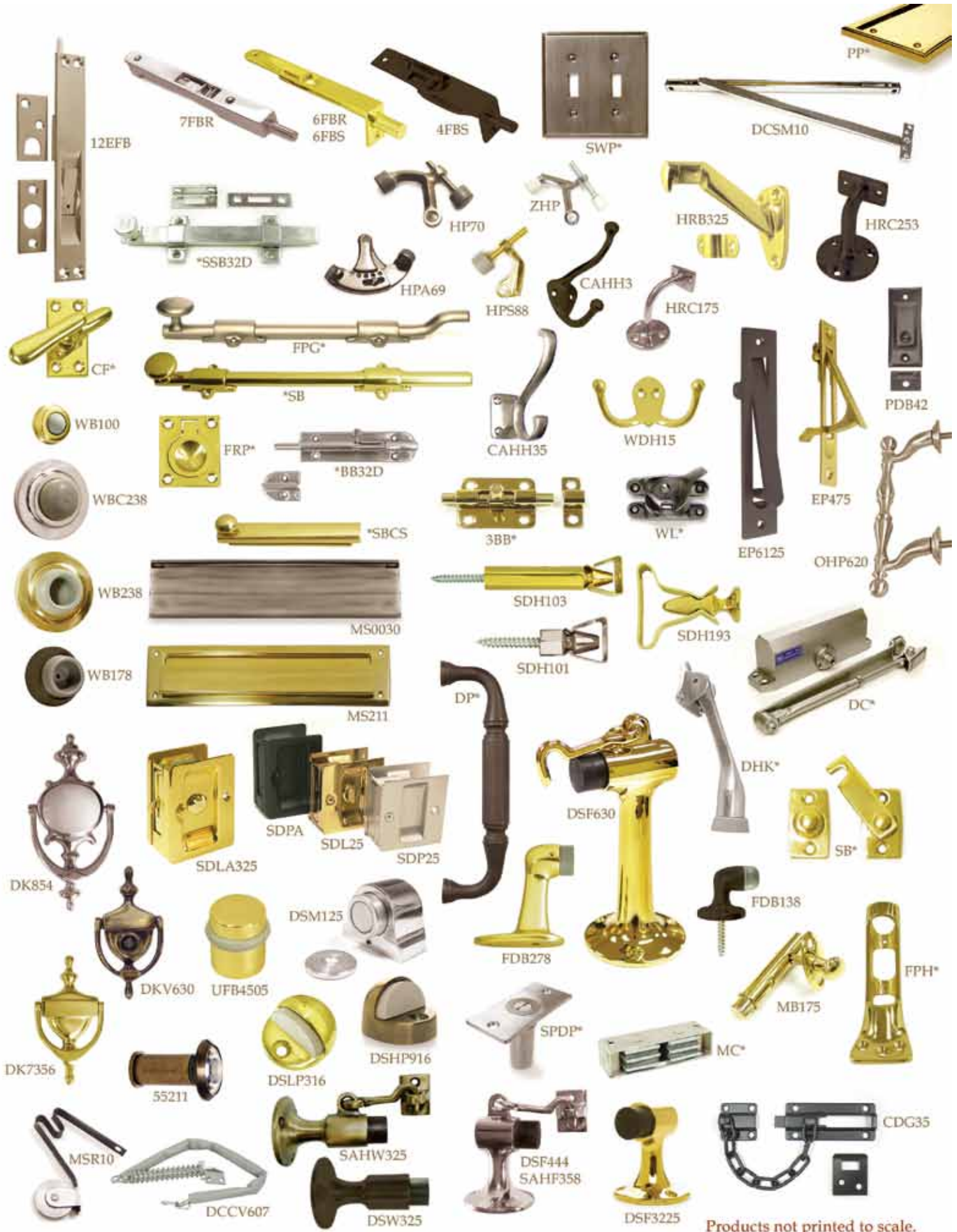
DELTA DELTANA

Architectural Hardware

Available in over 8 finishes.
All in stock and ready-to-ship.



* = other sizes available.



Products not printed to scale.

Flush Bolts

6"



Item No.	Description	Finish	List/Each
6FBS3	Square Corner	US3	\$ 11.80
6FBS10B	Square Corner	US10B	15.12
6FBS15	Square Corner	US15	14.56
6FBS26D	Square Corner	US26D	12.80



Ball Catches - Adjustable

2 1/8"

Item No.	Description	Finish	List/Each
BC218U3	Solid Brass	US3	\$ 7.90
BC218U10B	Solid Brass	US10B	7.00
BC218U15	Solid Brass	US15	7.00
BC218U15A	Solid Brass	US15A	7.00

**Thousands of Specialty Items
Available in Multi-Finishes
& Short Lead Times.**

Magnetic Door Holder/Stop



Item No.	Description	Finish	List/Each
MDH30U3	Holder/Stop	US3	\$ 14.28
MDH30U10B	Holder/Stop	US10B	15.29
MDH30U15	Holder/Stop	US15	15.29
MDH30U15A	Holder/Stop	US15A	15.29



Passage



Privacy

Solid Brass Pocket Door Hardware

Item No.	Description	Finish	List/Each
SDP25U3	Passage Lock	US3	\$ 9.47
SDP25U10B	Passage Lock	US10B	11.20
SDP25U15	Passage Lock	US15	11.20
SDP25U15A	Passage Lock	US15A	11.20
SDL25U3	Privacy Lock	US3	\$ 10.67
SDL25U10B	Privacy Lock	US10B	13.78
SDL25U15	Privacy Lock	US15	13.78
SDL25U15A	Privacy Lock	US15A	13.78

The Following Items are Stocked in our Grand Junction & Casper Warehouses

Item No.	Description	Finish	List/Each
BDS30U10B	BaseBoard Bumper	US10B	\$ 8.40
BDS30U15	BaseBoard Bumper	US15	8.40
BDS30U15A	BaseBoard Bumper	US15A	8.40
SDS375U10B	Spring Stop	US10B	\$.81
SDS375U15	Spring Stop	US15	.81
SDS375U15A	Spring Stop	US15A	.81
HP70U10B	HingePin stop	US10B	\$ 5.32
HP70U15	HingePin stop	US15	5.32
HP70U15A	HingePin stop	US15A	5.32



Item No.	Description	Finish	List/Each
FP221RU10B	2-1/8" FlushPull	US10B	\$ 3.61
FP221RU15	2-1/8" FlushPull	US15	3.61
FP221RU15A	2-1/8" FlushPull	US15A	3.61
FP223U10B	Oblong FlushPull	US10B	\$ 6.08
FP223U15	Oblong FlushPull	US15	6.08
FP223U15A	Oblong FlushPull	US15A	6.08
KRH114U10B	Round Nob	US10B	\$ 5.18
KRH114U15	Round Nob	US15	5.18
KRH114U15A	Round Nob	US15A	5.18

Residential Steel Hinges

RW Denver Stocked



3 1/2" x 3 1/2"

Item No.	Size	Finish	List/Pair
S35U3-R	3 1/2" x 3 1/2" Square	US3	\$ 4.37
S35U10B-R	3 1/2" x 3 1/2" Square	US10B	4.37
S35U15-R	3 1/2" x 3 1/2" Square	US15	4.37
S35U15A-R	3 1/2" x 3 1/2" Square	US15A	4.37
S35U26D-R	3 1/2" x 3 1/2" Square	US26D	4.37

4" x 4"

Item No.	Size	Finish	List/Pair
S44U3-R	4" x 4" Square	US3	\$ 5.13
S44U10B-R	4" x 4" Square	US10B	5.13
S44U15-R	4" x 4" Square	US15	5.13
S44U15A-R	4" x 4" Square	US15A	5.13
S44U26D-R	4" x 4" Square	US26D	5.13

Radius Steel Hinges



Finish Codes

US3 - Polished Brass
US10B - Oil Rubbed Bronze
US15 - Satin Nickel
US15A - Antique Satin Nickel
US26D - Satin Chrome Plated

3 1/2" x 3 1/2" x 1/4" Radius

Item No.	Size	Finish	List/Pair
S35R43	3 1/2" x 3 1/2" x 1/4"	US3	\$ 3.50
S35R410B	3 1/2" x 3 1/2" x 1/4"	US10B	3.50
S35R415	3 1/2" x 3 1/2" x 1/4"	US15	3.50
S35R415A	3 1/2" x 3 1/2" x 1/4"	US15A	3.50
S35R426D	3 1/2" x 3 1/2" x 1/4"	US26D	3.50

4" x 4" x 1/4" Radius

Item No.	Size	Finish	List/Pair
S44R43	4" x 4" x 1/4"	US3	\$ 4.76
S44R410B	4" x 4" x 1/4"	US10B	4.76
S44R415	4" x 4" x 1/4"	US15	4.76
S44R415A	4" x 4" x 1/4"	US15A	4.76
S44R426D	4" x 4" x 1/4"	US26D	4.76

3 1/2" x 3 1/2" x 5/8" Radius

Item No.	Size	Finish	List/Pair
S35R53	3 1/2" x 3 1/2" x 5/8"	US3	\$ 3.50
S35R510B	3 1/2" x 3 1/2" x 5/8"	US10B	3.50
S35R515	3 1/2" x 3 1/2" x 5/8"	US15	3.50
S35R515A	3 1/2" x 3 1/2" x 5/8"	US15A	3.50
S35R526D	3 1/2" x 3 1/2" x 5/8"	US26D	3.50

4" x 4" x 5/8" Radius

Item No.	Size	Finish	List/Pair
S44R53	4" x 4" x 5/8"	US3	\$ 4.76
S44R510B	4" x 4" x 5/8"	US10B	4.76
S44R515	4" x 4" x 5/8"	US15	4.76
S44R515A	4" x 4" x 5/8"	US15A	4.76
S44R526D	4" x 4" x 5/8"	US26D	4.76

Radius Spring Hinges



4" x 4" x 1/4" Radius

Item No.	Size	Finish	List/Each
DSH4R43	4" x 4" x 1/4"	US3	\$ 17.86
DSH4R410B	4" x 4" x 1/4"	US10B	17.86
DSH4R415	4" x 4" x 1/4"	US15	17.86
DSH4R426D	4" x 4" x 1/4"	US26D	17.86

4" x 4" x 5/8" Radius

Item No.	Size	Finish	List/Each
DSH4R53	4" x 4" x 5/8"	US3	\$ 17.86
DSH4R510B	4" x 4" x 5/8"	US10B	17.86
DSH4R515	4" x 4" x 5/8"	US15	17.86
DSH4R526D	4" x 4" x 5/8"	US26D	17.86

WoodFold Accordion Doors Residential Series 220

Room Dividers & Passageway Doors

SERIES 220 SPECIFICATIONS

220H designates Hardwood Panels
220V designates Vinyl-Lam Panels

Widths: Up to 8'
Heights: Up to 8'1"

Panels: 4 1/4" wide.

Factory Finished Hardwoods:

For visual warmth, hardwood veneers laminated to MDF board (1/4" net) with *non-tinted* finish.

Vinyl-Lam: Wood grains, white, tan or 2-tone textured vinyl laminated to 1/4" MDF board.

Catch: Magnet with strike plate.

NOTE: For room dividers more than 8' wide use Series 240.

Wheels: Nylon wheels on Lexan axles.

Vinyl Panel Connections: Supplied as standard White or Off White, Chalk, and Amethyst.

Sand with Hardwood Oak, Hardwood Birch, Natural Oak Vinyl, Birch Vinyl, Tan, Tahiti, and Rattan.

Brown with all other body panels.



SERIES 220



AVAILABLE AS SINGLE UNIT ONLY
*NOTE: Not available as pairs .
When pairs are required use Series 240.*

SERIES 220 OPTIONS CUSTOM-SIZE DOORS No Additional Charge

(Use price for next larger width and height shown)

◇ **HEIGHTS 4' AND LESS**
..... less 20%
(USE 8-0 HEIGHT PRICE)

◇ **DOUBLE END**
Single door with supporting handle both ends \$28.00

Not available with keylocks or privacy latches.
(for these options use Series 240)

◇ **SPECIAL FINISHES**
.....\$56.00 per Lin.Ft.
(\$140.00 min.)

*NOTE: For custom paint finish, use wood-grain vinyl base price (MDF board, primed, used for paint finish).
For stain finish use wood species base price.*

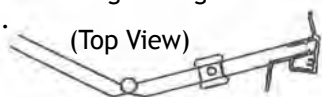
◇ **FIRE-RETARDANCY**
.....add 40%
Panels with fire-retardant core; flame spread 15, fuel contributed 0, smoke developed 25. Available in light oak and chalk Vinyl-Lam only.

LIST PRICE SCHEDULE

Use for Custom and Stock Sizes	Series 220V Vinyl-Lam	Series 220H Natural Hardwoods				
	Birch, Natural Oak, Light Oak, Dark Oak, Pecan, Teak, Mahogany, Walnut, White, Tan, Chalk, Tahiti, Rattan, Amethyst	FACTORY FINISHED				
Width x Height	Vinyl	BIRCH	OAK	CHERRY WALNUT	MAHOGANY MAPLE	
Heights up to 6'10" NO EXTRA CHARGE	2-0 x 6-8	\$314.00	\$524.00	\$532.00	\$700.00	\$622.00
	2-6 x 6-8	470.00	785.00	798.00	1050.00	932.00
	2-8 x 6-8	470.00	785.00	798.00	1050.00	932.00
	3-0 x 6-8	470.00	785.00	798.00	1050.00	932.00
	3-6 x 6-8	627.00	1047.00	1064.00	1400.00	1243.00
	4-0 x 6-8	627.00	1047.00	1064.00	1400.00	1243.00
	5-0 x 6-8	784.00	1309.00	1330.00	1750.00	1554.00
	6-0 x 6-8	941.00	1571.00	1596.00	2100.00	1865.00
Heights up to 8'1" NO EXTRA CHARGE	7-0 x 6-8	1098.00	1833.00	1862.00	2450.00	2176.00
	8-0 x 6-8	1254.00	2094.00	2128.00	2800.00	2486.00
	2-6 x 8-0	\$529.00	\$874.00	\$886.00	\$1155.00	\$1029.00
	3-0 x 8-0	529.00	874.00	886.00	1155.00	1029.00
	4-0 x 8-0	706.00	1165.00	1182.00	1540.00	1372.00
	5-0 x 8-0	882.00	1456.00	1477.00	1925.00	1715.00
	6-0 x 8-0	1058.00	1747.00	1772.00	2310.00	2058.00
	7-0 x 8-0	1235.00	2038.00	2068.00	2695.00	2401.00
8-0 x 8-0	1411.00	2330.00	2363.00	3080.00	2744.00	

For Custom Sizes Use Prices For Next Width & Height Shown.

Series 220 with full length swept wing handle with integral magnet and steel hardware hinge.



NOTE: The first body panel acts as lead panel.

Custom Sizes Our Specialty

How to Order:

- 1) **Width:**
Finished wall to wall (or jamb) in feet & inches.
- 2) **Height:**
Surface where track attaches to finished floor or top of carpet in feet and inches.
- 3) **Series:**
List number to be ordered.
- 4) **Panel:**
List wood species or vinyl-lam color.
- 5) **Options:**
List options if required.

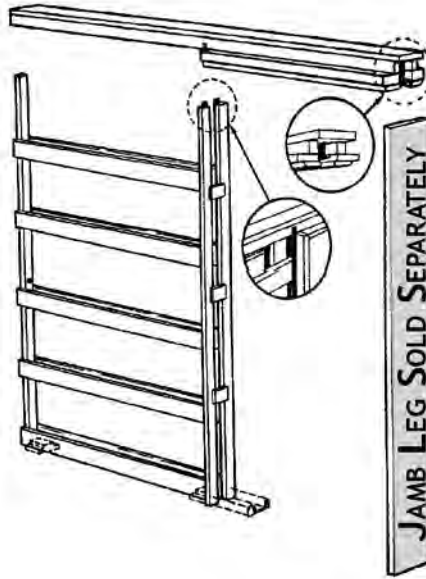
RW ASSEMBLED POCKET DOOR FRAMES



Manufactured by RW Denver Custom Sizes & Species Available

- Clear Split Jam
- **NOTE:** Frames Need Finish Trim, Jamb & Stop.
- **PLEASE NOTE:** A standard Pocket is only 2" and designed for a 1-3/8" door.

A 1-3/4" door may require a custom jamb and/or 2' x 6' wall. Custom charges will apply



SELECTION GUIDE

Rough Opening Height From Sub Floor - 7'-0"

Commercial Duty - Height From Sub Floor - 7'-1"

Single Door Size	Rough Opening Width
2'0" x 6'8"	4'2"
2'4" x 6'8"	4'10"
2'6" x 6'8"	5'2"
2'8" x 6'8"	5'6"
3'0" x 6'8"	6'2"

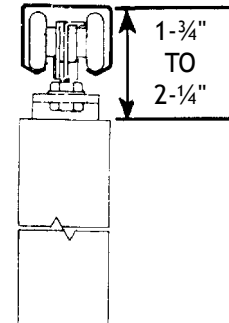
HEAVY DUTY HARDWARE

Maximum Door Weight: 150 lbs. per door

Heavy Duty 4 wheel #PB1632-BB hardware for doors up to 150 lbs. 4 wheel #1606 hanger has celcon wheels on steel shafts with steel ball bearings for smooth operation and long life. Easy vertical adjustment. Two piece hanger allows for easy door attachment and removal.

CLEAR SPLIT JAM

SIZE	PRICE
2'0" x 6'8"	\$ 125.00
2'4" x 6'8"	129.00
2'6" x 6'8"	133.00
2'8" x 6'8"	138.00
3'0" x 6'8"	142.00



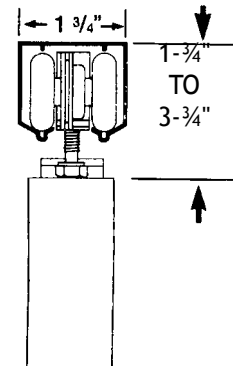
COMMERCIAL DUTY HARDWARE

Maximum Door Weight: 250 lbs. per door

Commercial Duty 4 wheel #PB1842-BB hardware for doors up to 250 lbs. Heavy gauge aluminum box track with "V" shaped rails is jump-proof. Hangers have large 1-1/4" diameter celcon wheels on steel shafts with steel ball bearings for smooth operation and long life. Two piece door attachment makes for easy door installation and removal.

CLEAR SPLIT JAM

SIZE	PRICE
2'0" x 6'8"	\$178.00
2'4" x 6'8"	182.00
2'6" x 6'8"	186.00
2'8" x 6'8"	190.00
3'0" x 6'8"	194.00





CARTONED POCKET DOOR FRAMES

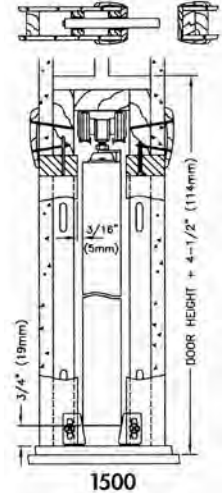
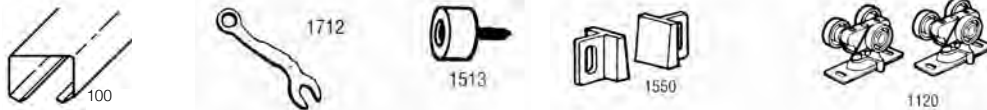
CALL FOR DROP SHIP PRICING

Series 1500 COMMERCIAL GRADE POCKET DOOR FRAME for 1-3/8" Door up to 125 lbs.

For 2 x 4 construction. Removable aluminium track with convex rails for smooth quiet operation, rust resistant steel reinforced wood split studs, jump proof three wheel (1" dia.) hangers, self adjusting floor anchors, 2"6" and 3"0" headers marked to cut to smaller door sizes. Brass-tone steel parts.

- 1530** 3'0" x 6'8" Door **\$99.98**
(Rough Opening 73" x 84½")
 - 1530-8** 3'0" x 8' Door **\$165.29**
(Rough Opening 73" x 100½")
- Also Includes #1575 Adapter for 1-3/4" Door and #1125 Ball Bearing Rollers
- 1555-PPK** Converging Door Kit **\$7.53**
(For 1500 Series)

Carton Includes: Door Frame, Track, Tricycle Hangers, Door Guide & Bumper.

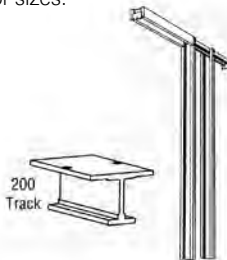


Series 2060 HEAVY DUTY POCKET DOOR FRAME for 1-1/8" to 2-1/4" Doors up to 300 lbs. each. (2" x 6" stud wall)

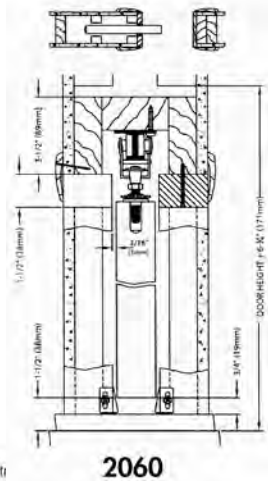
NEW

For 2 x 4 construction, the 2060 features removable aluminum I beam track with 4-wheel ball bearing hangers. Also rust resistant 16 gage all-steel uprights that make the walls as strong as a stud wall. The 2/6" and 3/0" frames are marked for cutting to smaller door sizes.

- 2060-3068** 3'0" x 6'8" Door **\$303.35**
Heavy Duty Pocket Door Frame
- 2060-3080** 3'0" x 8' Door **\$342.08**
Heavy Duty Pocket Door Frame
- 2050-PLBG** Converging Door Kit **\$13.58**
(For 2060 Series)



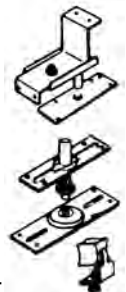
- ✓ All frames fit 2" x 6" stud walls
- ✓ 16 Gage steel studs make wall st as stud walls.
- ✓ 2060 Frames can accommodate doors up to 2 1/4" thick.



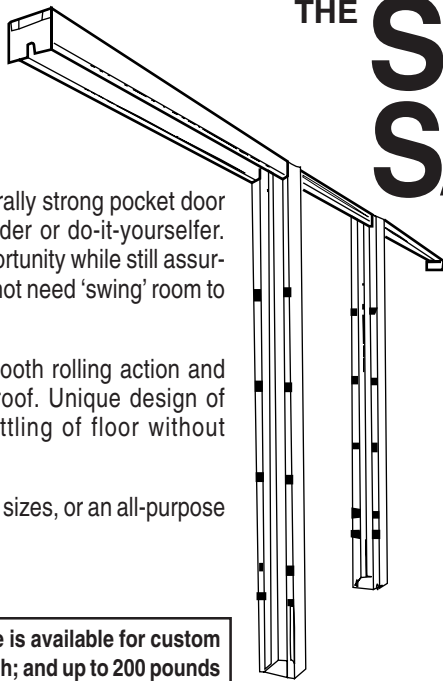
Series 1870 COMMERCIAL DUTY Bi-Fold & Multi-Panel Door Installations For Panels Over 1" Thick and Up to 125 lbs. Ea. (75lbs. For More Than Two Doors To A Jamb)

1801 Aluminum Track (1 Piece Needed)

- BK1801-72 6' Track **\$42.66**
- BK1801-96 8' Track **57.60**
- BK1801-120 10' Track **66.18**
- BK1801-144 12' Track **94.26**
- BK1801-192 16' Track **125.29**
- PB1817-TM Hanger **23.15**
- PB1818 Pivot Set **36.85**



GENERAL DESCRIPTION



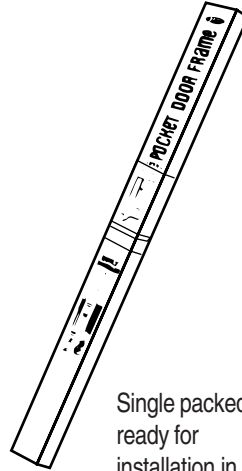
THE SPACE SAVER

An easily assembled, structurally strong pocket door frame. Designed for the builder or do-it-yourselfer. Provides a space saving opportunity while still assuring privacy. Pocket doors do not need 'swing' room to use valuable floor space.

Tricycle hangers provide smooth rolling action and are GUARANTEED jump proof. Unique design of floor brackets allow for settling of floor without distorting header track.

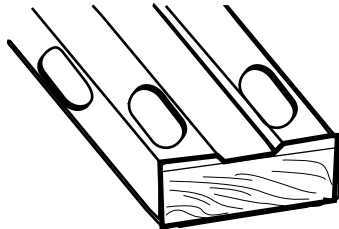
Available for all standard door sizes, or an all-purpose size to minimize inventory.

NOTE: The 1500 Series Frame is available for custom doors up to 5'0" wide; 9'0" high; and up to 200 pounds in weight.



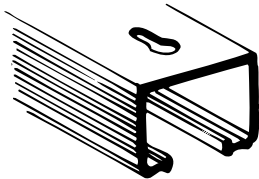
Single packed ready for installation in rough opening

EXCEPTIONAL FEATURES



STRONG STIFFENERS

Split jamb and stud uprights have full steel sides and backs to provide maximum rigidity for wall material and restricts nails from penetration into pocket. Slots allow room for easy nailing of trim stops.



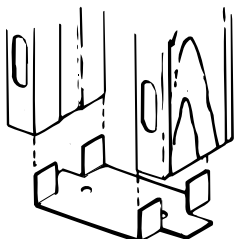
REMOVABLE TRACK

Track has keyhole slots for easy removal without tearing out walls. Box design prevents rollers from jumping track. Convex rails provide one-point wheel contact for smoothness — dirt traps for free rolling.



TRICYCLE HANGERS

Tri-design insures all wheels carry weight equally. Smooth rolling, balanced wheels ride with minimum friction on convex track rails. A 'flip-of-a-clip' separates hangers from doors for easy door removal.



*SELF-ADJUSTING FLOOR ANCHORS

Long vertical fingers slide into split studs — allow for settling of floor without disturbing horizontal alignment of header and track. Plates can be nailed or cemented to floor.

*NOTE: 1-3/4" doors require Pt. No. 1575 Adaptor Kit. See OPTIONAL listing.

JOHNSON
HARDWARE

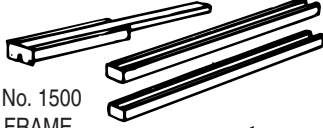
**MOUNTED TRACK
TRICYCLE
HANGERS
COMPACT**

**POCKET
DOOR
FRAME**


For
1-1/8" To 1-3/4"
Doors
(Max. wt.
125 LBS.)

SERIES 1500


**COMPLETE WITH SCREWS
AND INSTRUCTIONS**




No. 1500
FRAME



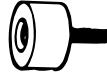
No. 100
TRACK
(Attached
to header)




(2 ea)
No. 1120
TRICYCLE
HANGERS
(1" DIA. WHEELS)



No. 1550
DOOR GUIDES

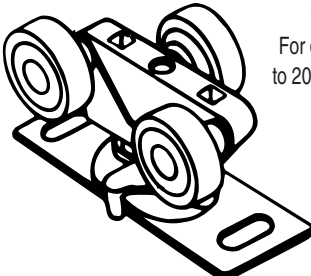


No. 1513
DOOR BUMPER



No. 1712
ADJ. WRENCH

OPTIONAL HANGER



1125
For doors
to 200 lbs.

Ball Bearing wheels provide smooth, quiet, easy operation of very heavy doors. Need no lubrication.

Johnson HARDWARE MOUNTED TRACK TRICYCLE HANGERS COMPACT

POCKET DOOR FRAME

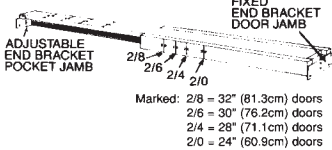
For 1-1/8" To 1-3/4" Doors (Max. wt. 125 LBS.)

SERIES 1500

Cutting Instructions— Johnson Hardware Pocket Door Frame header

2'6" (76.2cm) and 3'0" (91.4cm)
 Universal Johnson Pocket Door Frames are marked for cutting to shorter lengths. See cutting instructions below.

1. Remove Adjustable End Bracket.



2. Cut through **WOOD part of header only, on desired door size marking.**



3. Turn Header over and cut Track 1 3/8" (35mm) shorter than wood Header.



4. Replace Adjustable End Bracket on new cut end of header.
 5. Turn Header on side and cut 3/4" (19mm) Head Trim Board ONLY at proper mark. remove cut off end and discard.



6. Turn Header and cut off other side. **Pocket Door Accessories**

1521 **SUNCREST** Pull latch and lock all in one. Keeps door closed when desired yet opens with a touch of a button.

150 **EDGE PULL** Retractable Pull, handy for pulling door from pocket.

21 **SUNCREST**

40

35

1575 **ADAPTOR KIT** Greater clearance inside Frames when using 1 3/4" (44.5mm) thick doors.

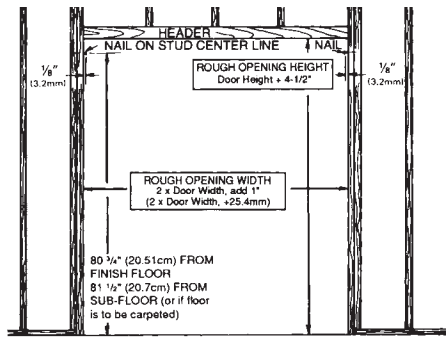
1555 **CONVERGING DOOR KIT** For connecting two Pocket Door Frames together.

1510/1511/Finger joint, clear pine **JAMB KIT** For doors up to 3'0" x 6'8".

Measure Door Width and construct Rough Opening
Rough Opening Size Chart

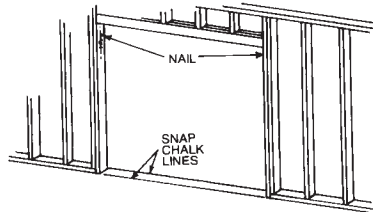
FOR 1 1/8" TO 1 3/4" DOORS	ROUGH OPENING WIDTH X HEIGHT
2'0" x 6'8"	49" x 84 1/2"
2'4" x 6'8"	57" x 84 1/2"
*2'6" x 6'8"	61" x 84 1/2"
2'8" x 6'8"	65" x 84 1/2"
*3'0" x 6'8"	73" x 84 1/2"

* All purpose-marked for cutting to other standard widths
 ** 1575 ppk3 1 3/4" adaptor required.

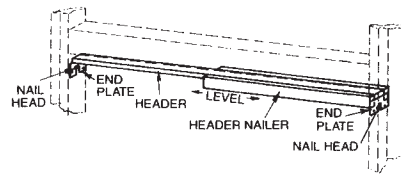


1. Header must be **SQUARE** and **PLUMB** with studs and **LEVEL**.

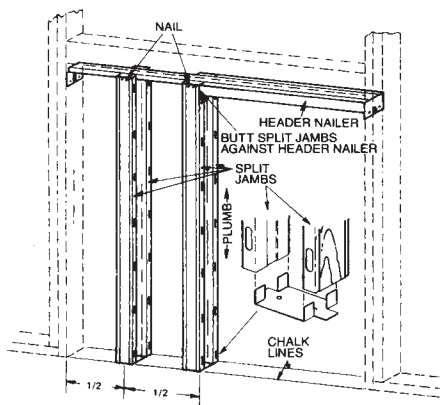
Mark each side jamb and drive a flat head nail on centerline, leaving 1/8" (3.2mm) protruding. (Frame header end plates will rest on these nails.)



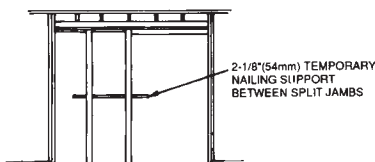
2. Snap two chalk lines on floor even with side jambs as shown.



3. Slip slots in Frame Header End Plates Over nails in side jambs.



4. Slip fingers on Floor Plates into the reinforcing strips of Split Jambs as show. Butt split jambs against header nailer strips and nail in place.



5. Apply desired wall materials over the pocket side and above the door opening. Wall materials are brought clear to the edges of the opening.

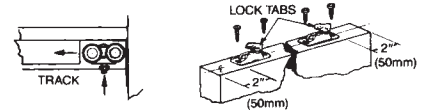
GENERAL INSTALLATION



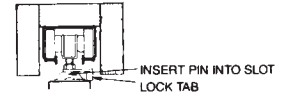
6. Seal all edges and face of door panel with choice of paint or sealing stain.



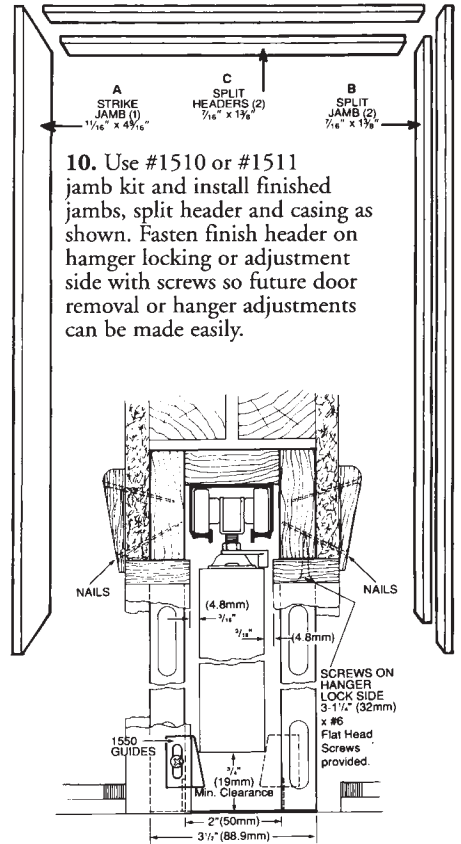
7. Fasten bumper on back edge of door. 40" from bottom edge.



8. Insert hanger wheels into track through space between end plate and track. Fasten hanger plates in place.



9. Hold door in opening and slip pivot pin into slot in plate. Lock in place with locking tab. Adjust hangers for height and plumb with jambs.



11. Fasten #1550 Guides on finished split jambs at door bottom so door is held in center of opening without binding.

BY-PASS DOOR HARDWARE SETS

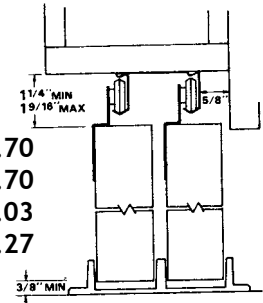
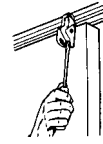


Non-Fascia

For Two By-Passing Doors
1-3/8" Thick, Weighing
Up To 60 lbs. Each.
Steel Track

ITEM #	DESCRIPTION	LIST/SET
7842-4RWSN	4' Track & Hardware for two 2'0" doors	\$12.70
7842-5RWSN	5' Track & Hardware for two 2'6" doors	13.70
7842-6RWSN	6' Track & Hardware for two 3'0" doors	17.03
7842-83RWSN	8' Track & Hardware for three 2'8" doors	26.27

Set contains: 1 Each 7840 Steel Track, 2 Pair 7200 A & B Hangers, 0352 Floor Guide, 2 Each 0864 3/4" Satin Nickel Finger Pulls, Screws & Instructions



Series 2200

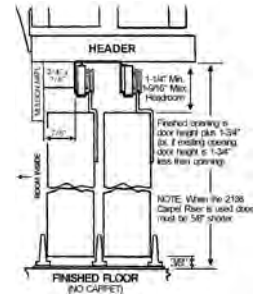


ITEM#	DESCRIPTION	# / BOX	LIST/SET
2200-48	4' Track & Hardware	5 Sets	\$19.91
2200-60	5' Track & Hardware	5 Sets	22.74
2200-72	6' Track & Hardware	5 Sets	25.71
2200-96	8' Track & Hardware	5 Sets	44.58

For Two By-Passing Doors
3/4" & 1-3/8" Thick,
Weighing 50 lbs. Each
Aluminum Track

Set Contains: Aluminum Track, 4 Hangers, 2135 Door Guide And Instructions. Clear View Poly Packed.

Convex rail with two dirt-catching traps, no more dirty track chatter. Hi-lite line design hold paint and eliminates fingerprints. Fast cam action hangers with positive lock - no slippage. Zinc plated steel hangers with 7/8" nylon wheels.



Series 1676 HEAVY DUTY

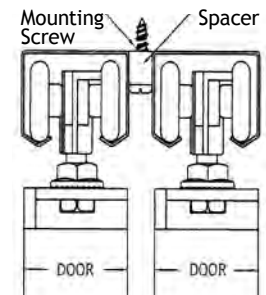
For Two By-Passing Doors
Up To 1-3/4" Thick,
Weighing Up To 150 lbs. Each.
Aluminum Track

ITEM #	DESCRIPTION	LIST/SET
JS1676-4	4' Heavy Duty Track & Hardware	\$65.60
JS1676-5	5' Heavy Duty Track & Hardware	70.36
JS1676-6	6' Heavy Duty Track & Hardware	76.72

Set Contains: 1602 Aluminum Track, 1606 BB Carrier, 1807-TM Door Plate and 0909 Door Guide

NOTE: If Fascia is Used, for 1-3/8" Door, Allow 1/4" Between Fascia & Track.

NOTE: If Fascia is Used, for 1-3/4" Door, Allow 3/8" Between Fascia & Track.



Series 1574 HEAVY DUTY

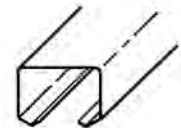
For Two By-Passing Doors
1-3/8" & 1-3/4" Thick,
Weighing 30-150 lbs. Ea.
Steel Track

1599 Zinc Finished Steel Track

(2 Pieces Needed)

ITEM #	DESCRIPTION	LIST
1599-Z47	4' Track	\$4.61 PC
1599-Z59	5' Track	5.85 PC
1599-Z71	6' Track	6.88 PC
1599-Z95	8' Track	9.55 PC
PB1675-SP	Hanger Set (4) (For 2 Doors)	27.69 Set

PB1675-SP Hanger Set



1599 Track

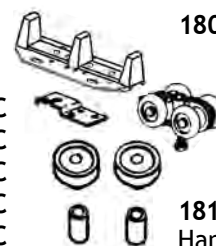
Series 1876 COMMERCIAL DUTY

For Two By-Passing Doors
1-3/8" & 1-3/4" Thick,
Weighing 30-250 lbs. Ea.
Aluminum Track

1801 HD Aluminum Track

(2 Pieces Needed)

ITEM #	DESCRIPTION	LIST
BK1801-72	6' Track	\$ 42.66 PC
BK1801-96	8' Track	57.60 PC
BK1801-120	10' Track	66.18 PC
BK1801-144	12' Track	94.26 PC
BK1801-192	16' Track	125.29 PC
PB1816-RW	Hanger Set (4) (For 2 Doors)	96.84 Set



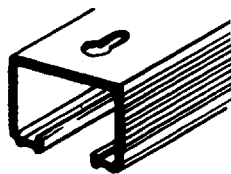
1801 Track

1816-RW Hanger Set For 1801 Track

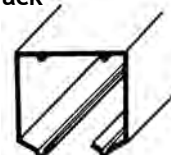
MISCELLANEOUS DOOR HARDWARE



Carrier, Plate, Guides & Bumper



1801 Track



1599 Track

ITEM	DESCRIPTION	PRICE
150-3PPK1	Brass Edge Pull	5.43 EA
1120-PPK1	Tricycle Hanger	7.93 EA
1125-PPK1	Heavy Duty Hanger	14.00 EA
1500-PPK3	Hardware Only	13.81 Bag
1505-PPK3	Guide/Bumper	2.92 EA
1550	Door Guides	.42 EA
1555-PPK3	Converging Door Kit	7.53 EA
1575-PPK3	1 3/4" Adapter Set	6.41 EA
2134	1-1/8" or 1-3/4" Door Guide	2.16 EA 25/Box
2135-PPK1	3/4" or 1-3/8" Door Guide	2.61 EA 10/Box
2136-PPK1	Carpet Riser	2.77 EA 10/Box
BK0351	1-3/8" Floor Guide	.62 EA
PB0352	3/8" Adjustable Guide	1.58 EA
PB1431	Pocket Door Hardware (Standard)	9.61 SET
PB1632-BB	Pocket Door Hardware (Heavy Duty)	17.36 SET
PB1842-BB	Pocket Door Hardware (Commercial)	47.60 SET

TRACK

100-6	Pocket Door Track - 6'	20.33 EA
100-8	Pocket Door Track - 8'	26.29 EA
100-10	Pocket Door Track - 10'	33.71 EA
100-12	Pocket Door Track - 12'	40.57 EA
1599-Z47	4' Track Standard Duty	4.61 PC
1599-Z59	5' Track Standard Duty	5.85 PC
1599-Z71	6' Track Standard Duty	6.88 PC
1599-Z95	8' Track Standard Duty	9.55 PC
BK1801-72	6' Commercial Duty Track	42.66 PC
BK1801-96	8' Commercial Duty Track	57.60 PC
BK1801-120	10' Commercial Duty Track	66.18 PC
BK1801-144	12' Commercial Duty Track	94.26 PC
BK1801-192	16' Commercial Duty Track	125.29 PC